

Actual product may differ from image shown

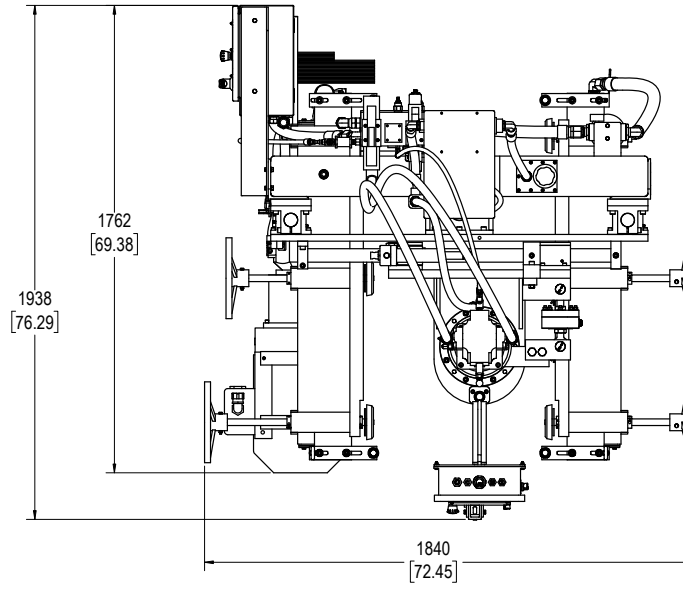
The Track Shop Torque Wrench saves money on tooling by virtually eliminating torch cutting, reducing service time and minimizing track shoe and link damage resulting from torch cutting. The Torque Wrench's faster operating speed tightens or loosens bolts in seconds, allowing track shoe bolts to be efficiently removed and replaced during the track reconditioning process. Designed for easy and quiet operation, the Torque Wrench automatically tightens and turns the bolt, significantly reducing damaged sockets that result from the ratcheting impact motion of other types of wrenches.

### Features and Benefits

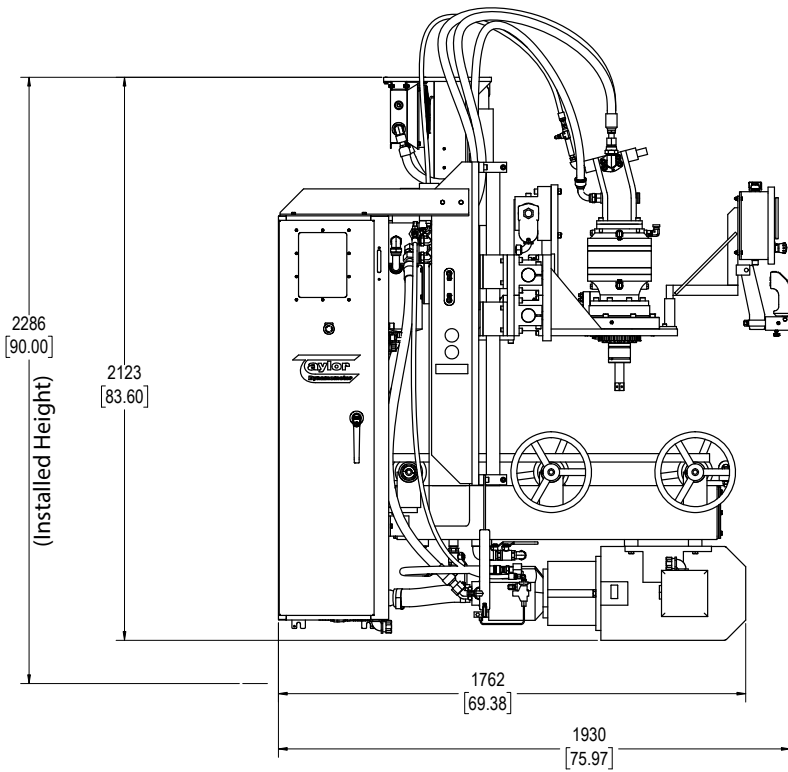
- Automatically senses when a tough bolt has been identified and shifts to a lower, high-torque displacement to gain additional torque
- Prevents over-tightening due to operator error. Loose track shoes are a result of over-tightening and leads to excessive bolt stretch or stripped bolts
- Ability to set the recommended pre-torque for the appropriate track and the digital readout verifies the torque rate and when the final torque is applied
- Fast operating speed, 200 rpm "run-in" and "run-out" speed tightens or loosens bolts in seconds
- Operator friendly – easy and quiet operation allows for quick set up and normal conversation during operation

mm  
[ in ]

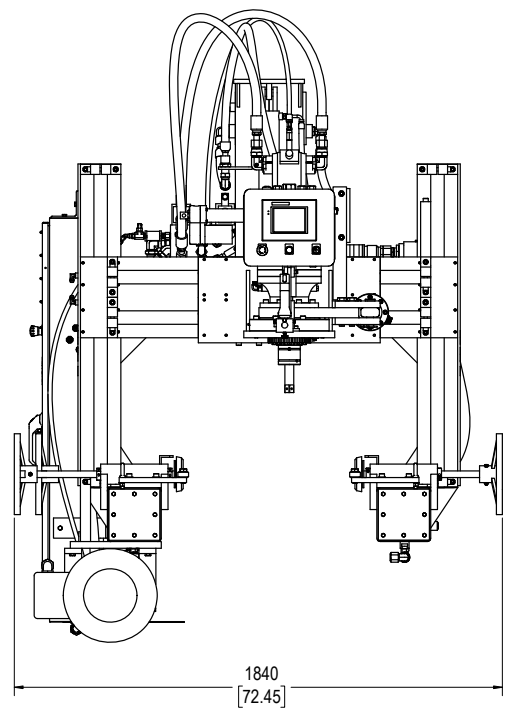
NOTE: Drawings do not include frame required for shipping



Top View



Side View



Front View

# Specifications

## Operations:

- Max output torque at:
  - » High speed: 1,496 Nm (1,100 lb-ft) at 195 rpm
  - » Low speed: 9,520 Nm (7,000 lb-ft) at 40 rpm
- Vertical arbor travel: 40.6 cm (16.0 in)
- Arbor downforce: 8.0 kN (1,800 lb)

## Hydraulics:

- Fluid capacity: 159 liters (42 gal)
- Filtration: 10 microns / 75 Beta ratio
- Max pressure: 32,383 kPa (4,700 psi)
- Main pump type: Piston -- load-sensing/horsepower-limiting
- Fluid motor type: Piston -- variable displacement

## Electrical:

- Supply Voltage: 380/460/575
- Frequency: 50 or 60 Hz
- Motor: 11 kW (15 hp)
- Control Voltage: 24 volts

## Weight:

- Approx. 1,590 kg (3,500 lb)