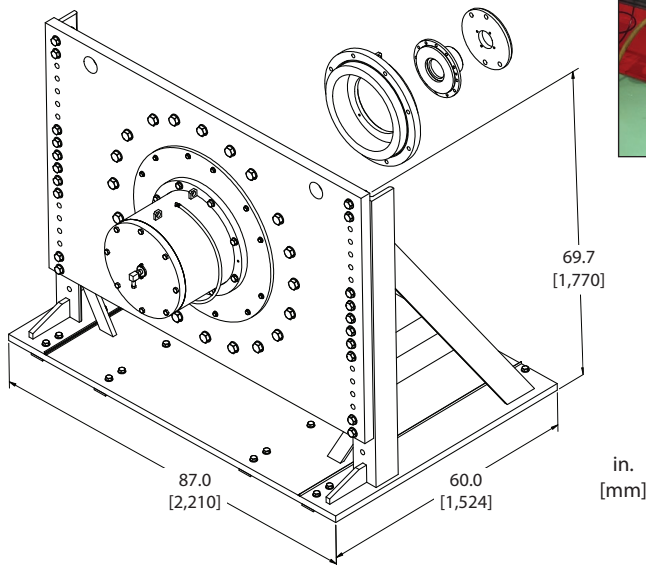
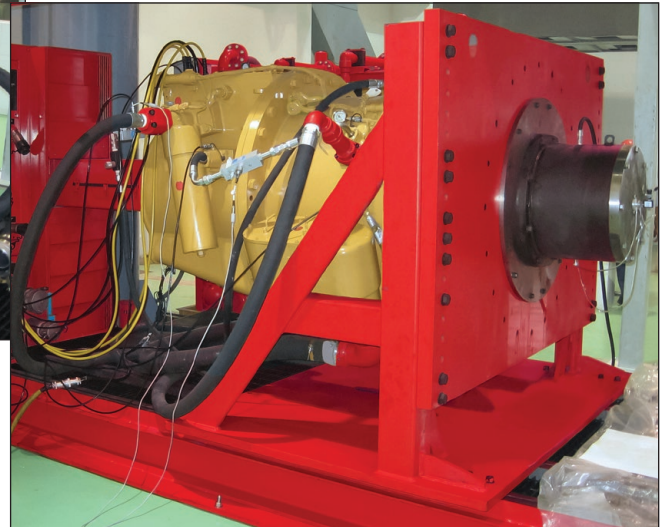




797 Support Tooling for Transmission and Torque Converter / Hydraulic Test Center



The 797 haul truck powertrain requires extensive custom tooling to test on the Hydraulic Test Center (HTC). This package provides all the custom tooling that is required for 797 testing except for tooling that is common to other powertrain testing. Additional accessories that are required for testing include: Instrumentation Package and Port for Worktable. Particle count testing can be performed with the purchase of Contamination Monitoring Accessory.

The 797 Support Tooling Package includes:

- mechanical assemblies to support and drive the components under test
- plumbing with integrated flow meters to collect data
- electrical harness to shift the transmission from customer-supplied transmission analyzer
- instrumentation cables
- custom manifold for testing valves

Everything you need to succeed

