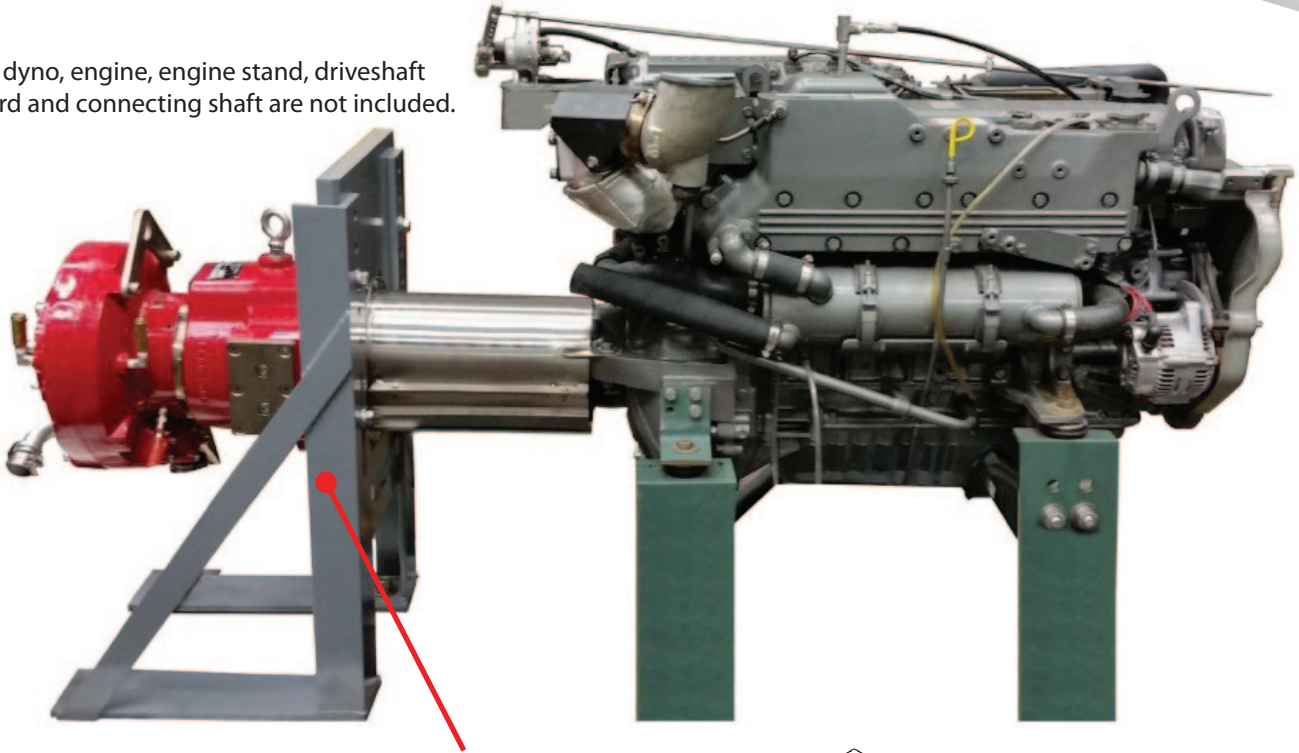




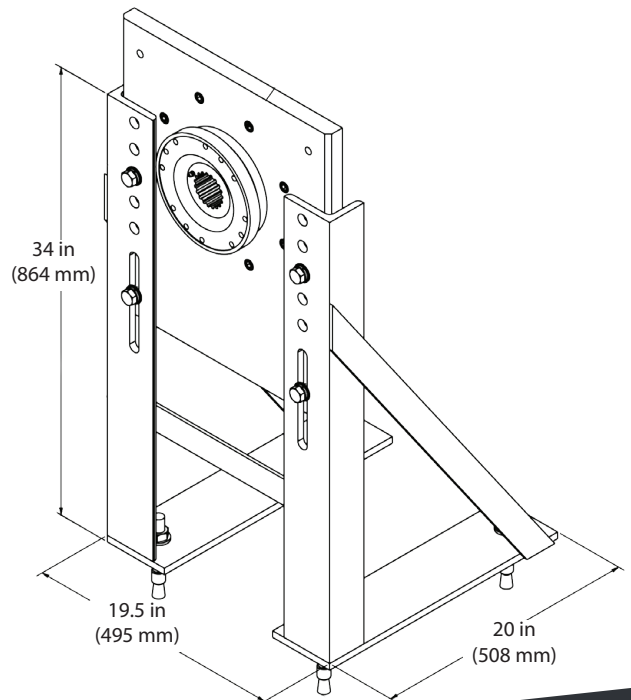
## TD-3100 Fixed-Base Mount Kit / Engine Dynamometer

The dyno, engine, engine stand, driveshaft guard and connecting shaft are not included.



Fixed-Base Mount Kit

The TD-3100 Fixed-Base Mount Kit is for use with Taylor's TD-3100 or TD-3102 portable water brake (hydraulic) engine dynamometers. The kit allows the TD-3100 or TD-3102 to be used as a stationary (fixed-base) dynamometer and includes brackets, mounting stand and hardware to fix the unit to the floor and provide a 1710/1810 style flange for driveshaft connection. A Taylor Dynamometer Driveshaft Guard is highly recommended.



*Everything you need to succeed*

