



Closed Exhaust Kit / Engine Dynamometer



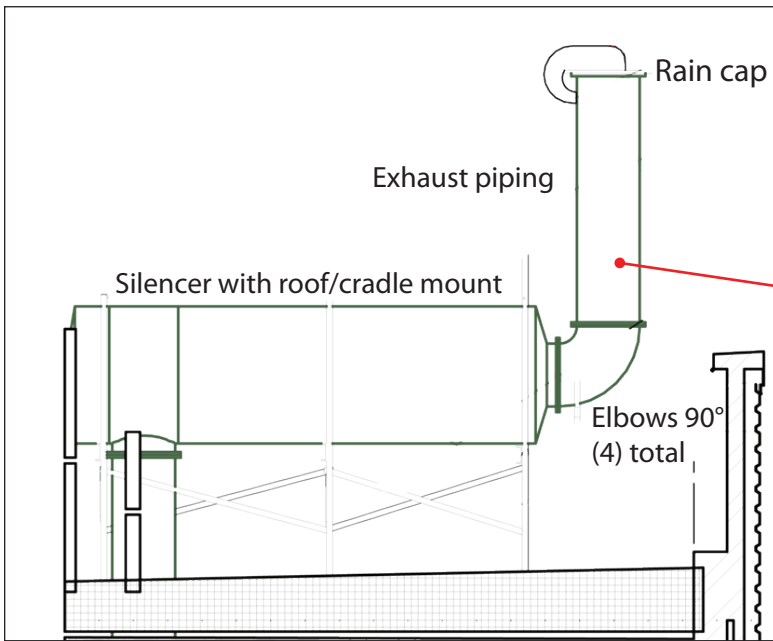
The Closed Exhaust Kit system requires direct connection to the engine exhaust system. This style of system allows for the greatest flexibility when overhead and in-cell jib cranes will be used. The closed exhaust system removes only engine exhaust. A separate fan-powered exhaust system is required to pull in make-up air and discharge the heat and fumes.

Closed Exhaust Kit includes:

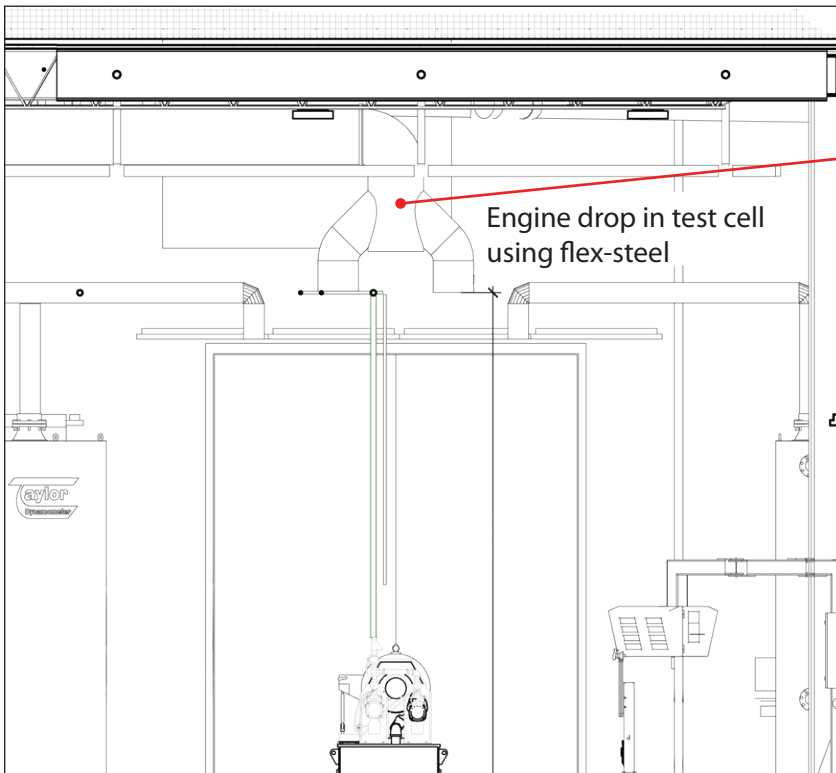
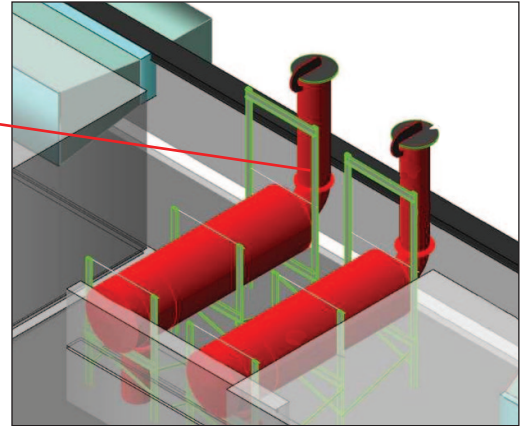
- Engine drop in test cell using flex-steel (1 or 2 as applicable to design)
- Silencer with roof/cradle mount (to be installed on roof or mezzanine)
- Two (2) thimbles
- Exhaust piping (total length varies per kit)
- Four (4) 90 degree elbows
- Rain cap

Important notes:

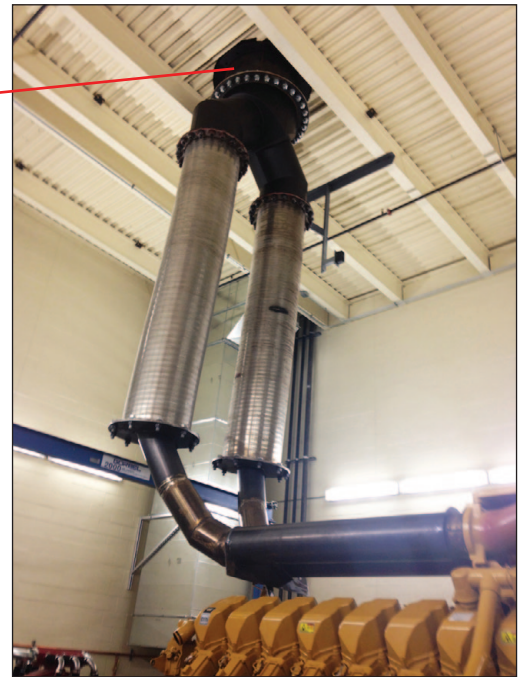
- Insulation requirements to be provided by customer
- Customer to provide miscellaneous hardware and all installation requirements such as pipe hangers, insulation, welding and anything else that may be required by design
- Customer to provide final engine connections from flex drop pipe to engine



Roof or Mezzanine



Inside Test Cell



Everything you need to succeed



3602 West Wheelhouse Road, Milwaukee, Wisconsin 53208 U.S.A.
(414) 755-0040 www.taylordyno.com

SMS2550v001