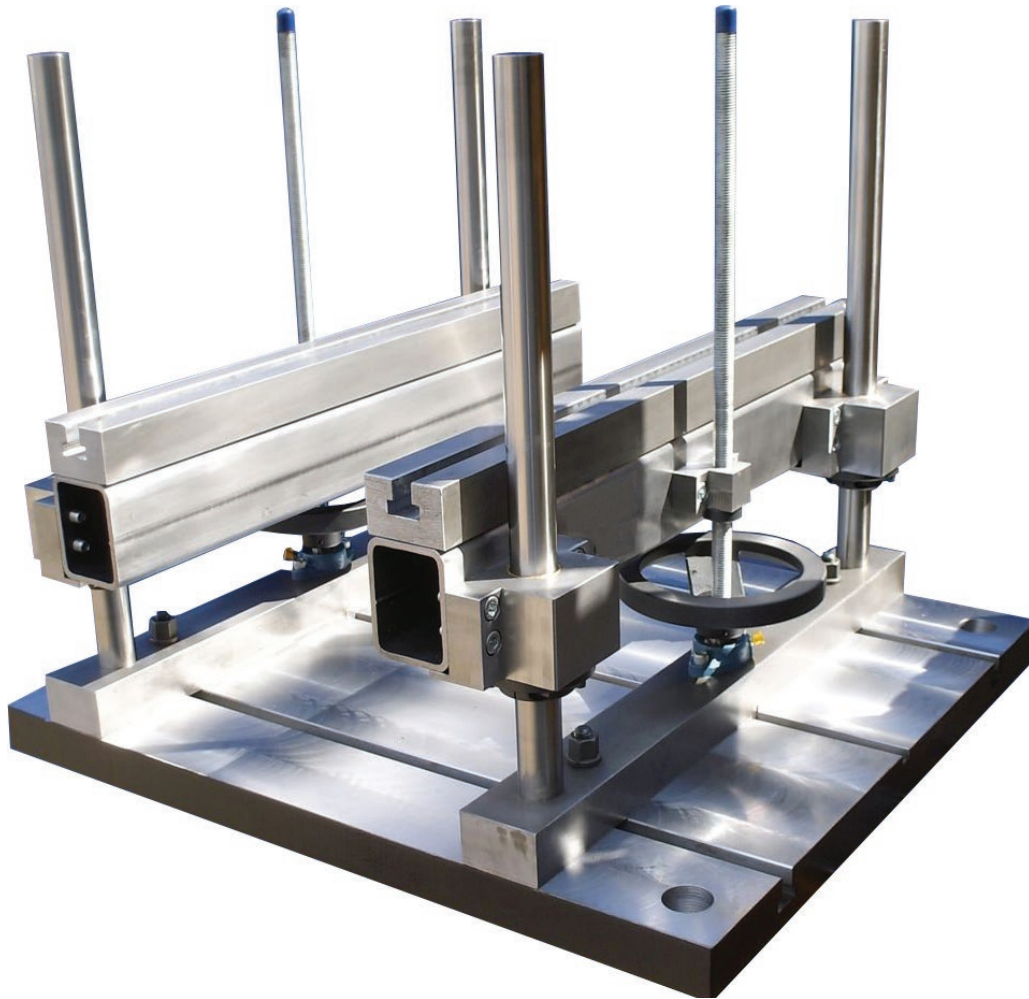


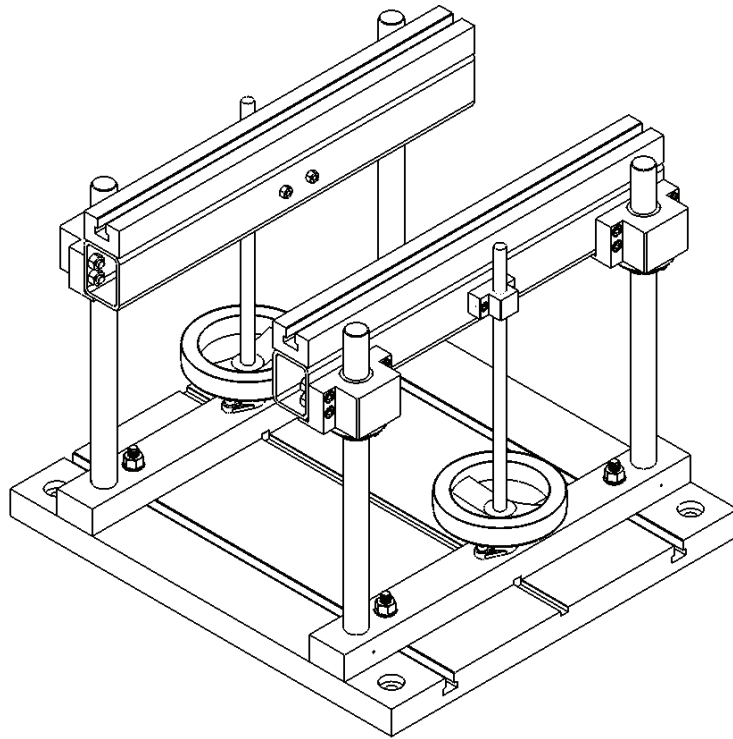


X-Y-Z Table / Electric Motor Test Stand

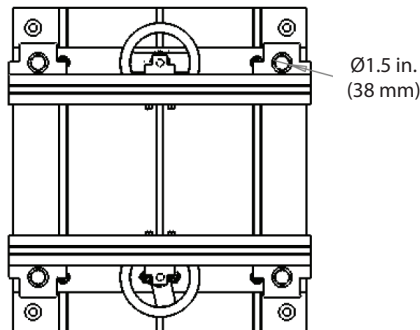
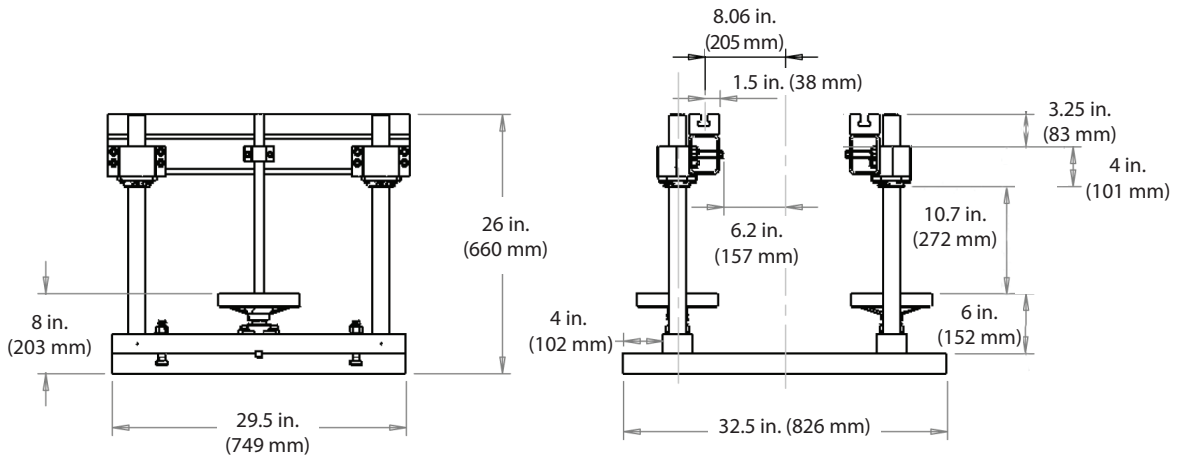


The X-Y-Z Table is used in various Electric Motor Test Stand requirements offered by Taylor Dynamometer. This table allows for adjustment in Y axis (up / down) from 3 to 24 in. (7.62 to 60.96 cm) and adjustment in Z axis (left / right) from 13.25 to 23 in. (33.65 to 58.42 cm) with a maximum allowable torque of 1,475 ft-lb (2,000 Nm). The table allows for a maximum motor weight of 2,000 lb (907 kg). Custom X-Y-Z Tables are also available.

Total Test Success



The table is designed to be used with DIN508 M16 x 18 or 5/8 x 11/16 nuts (supplied by the customer).



Maximum Z = 23 in. (584 mm)
Minimum Z = 13.25 in. (337 mm)

Maximum Y = 24 in. (610 mm)
Minimum Y = 3 in. (76 mm)

X = 29.5 in. (749 mm)

Everything you need to succeed

