



70,000 lb Engine Cart System / Engine Dynamometer



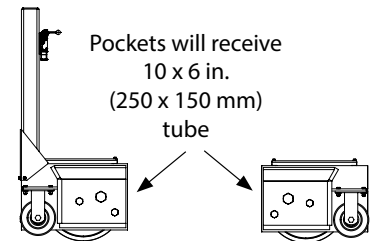
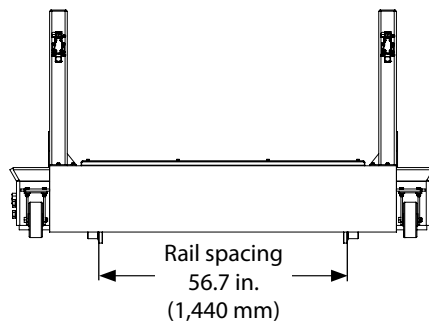
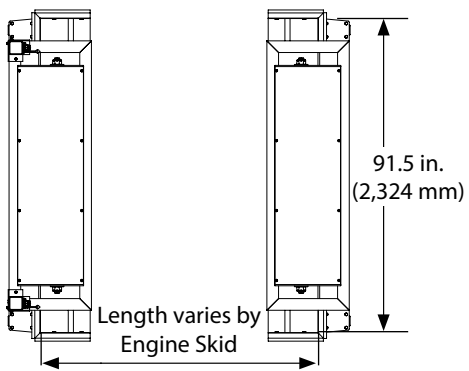
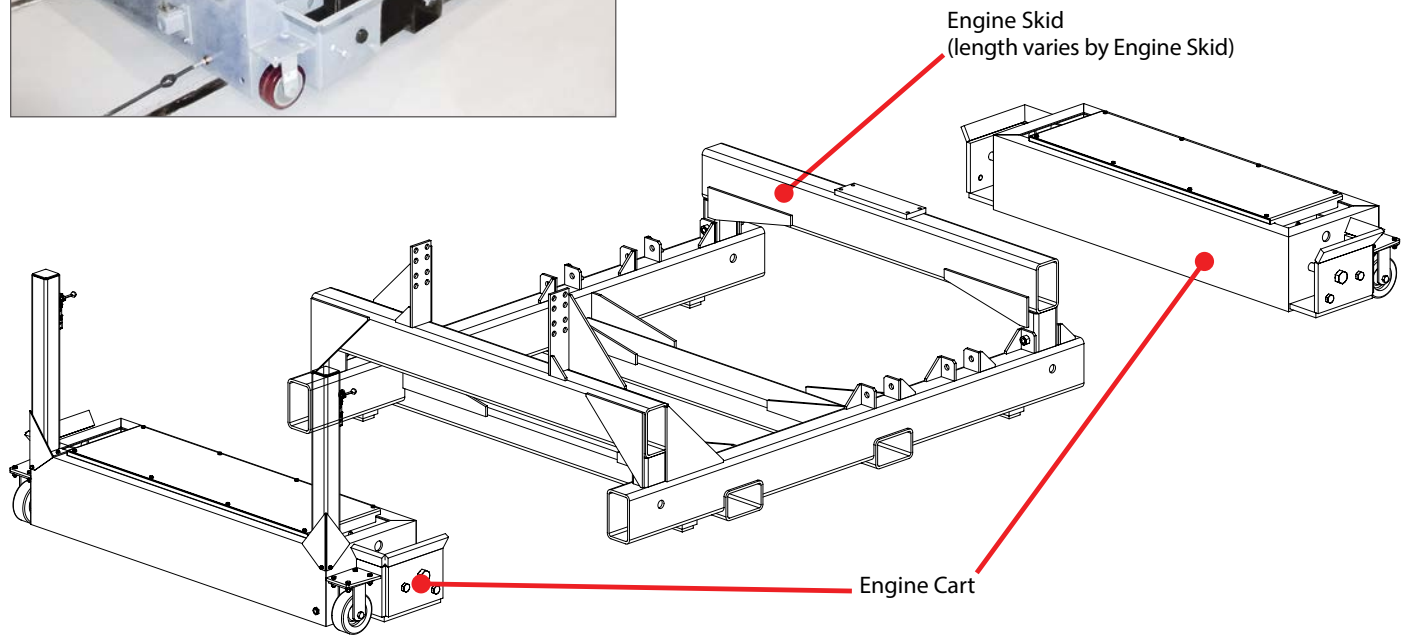
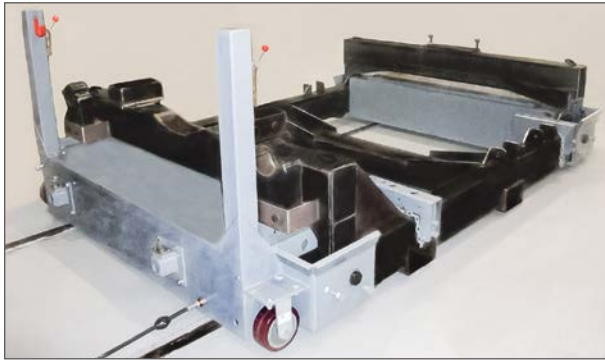
The 70,000 lb Engine Cart System is engineered to provide a moveable, durable and easy-to-use method of engine mounting for dynamometer testing. The Engine Cart System is designed for use on railroad type rails. Dead weight capacity is 70,000 lb (31,751 kg).

The Engine Skids used with the 70K Engine Cart system are engine or engine model-specific and designed to be used for engine build, test, storage and shipment. The skids, in most cases, are designed to accommodate a series of engines, although some are designed to be engine-specific.

Taylor offers standard Engine Skid designs available to you for local manufacture or we can provide the completed Engine Skids. Either way, we supply you with the design so that you can produce more at any time. Custom Engine Skids are available upon request.

Total Test Success

Dimensions



Everything you need to succeed



3602 West Wheelhouse Road, Milwaukee, Wisconsin 53208 U.S.A.
(414) 755-0040 www.taylordyno.com

SMS2532v003