

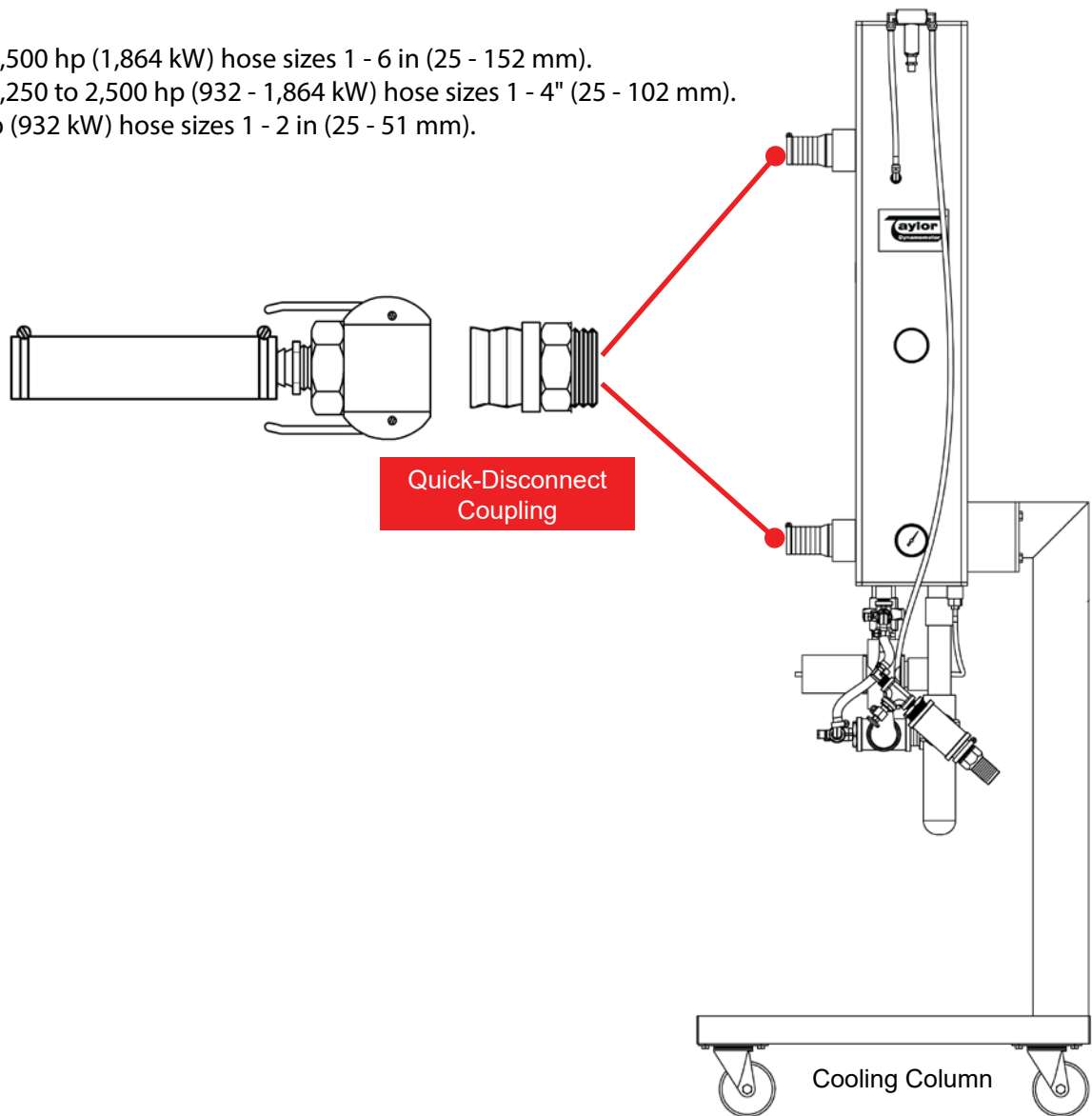


Hose Interconnect Kit / Engine Dynamometer

The Hose Interconnect Kits are specially designed for quick connect and disconnect between the engines and Taylor's Cooling Column and/or Taylor's Low Temperature Aftercooler. The 12 1/2 ft (3.81 m) hoses are secured to the engine cooling water inlet and outlets with the supplied hose quick-disconnect couplings. The quick-disconnect ends are then attached to the Cooling Column's or Low Temperature Aftercooler's inlet and outlet hoses. A "wye" fitting is available for engines with dual outlet connections.

For Applications:

- Greater than 2,500 hp (1,864 kW) hose sizes 1 - 6 in (25 - 152 mm).
- Greater than 1,250 to 2,500 hp (932 - 1,864 kW) hose sizes 1 - 4" (25 - 102 mm).
- Up to 1,250 hp (932 kW) hose sizes 1 - 2 in (25 - 51 mm).



Everything you need to succeed

