

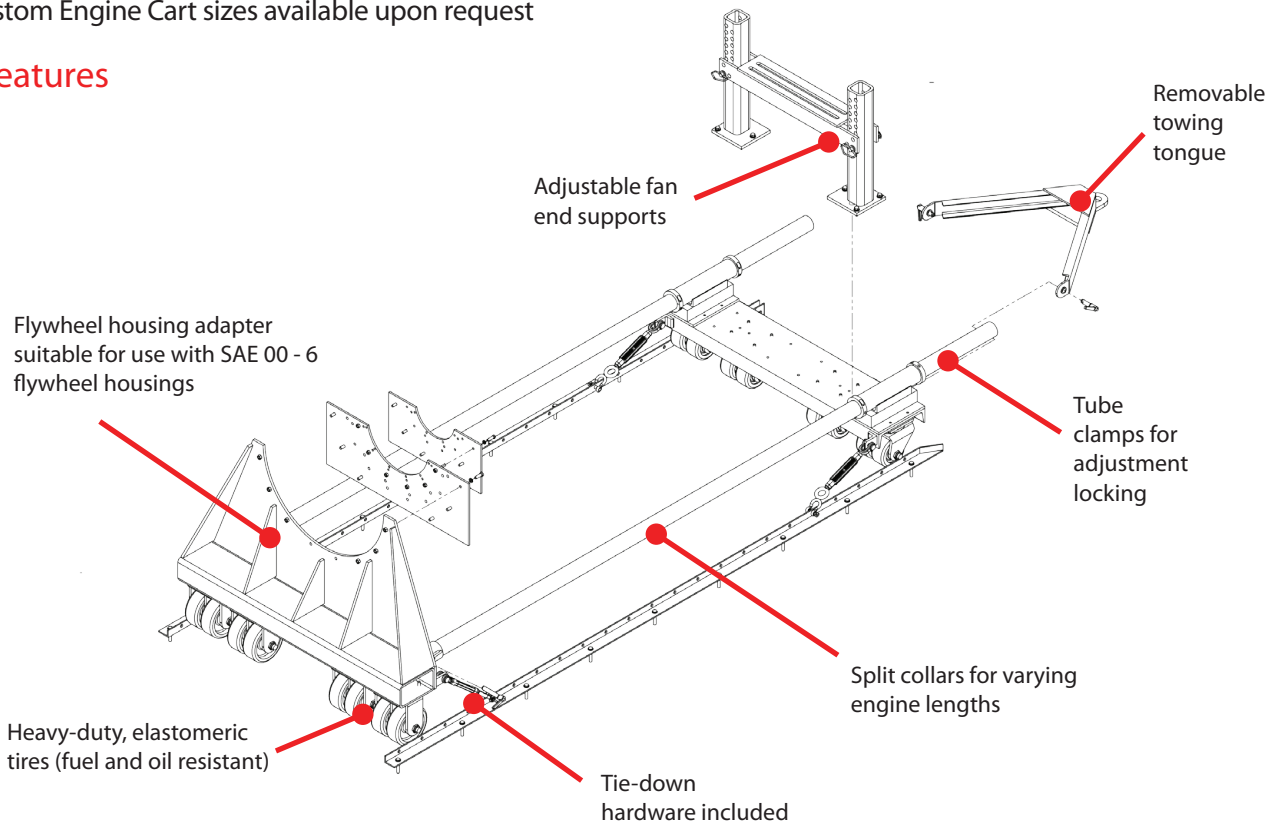


30,000 lb Engine Cart System / Engine Dynamometer

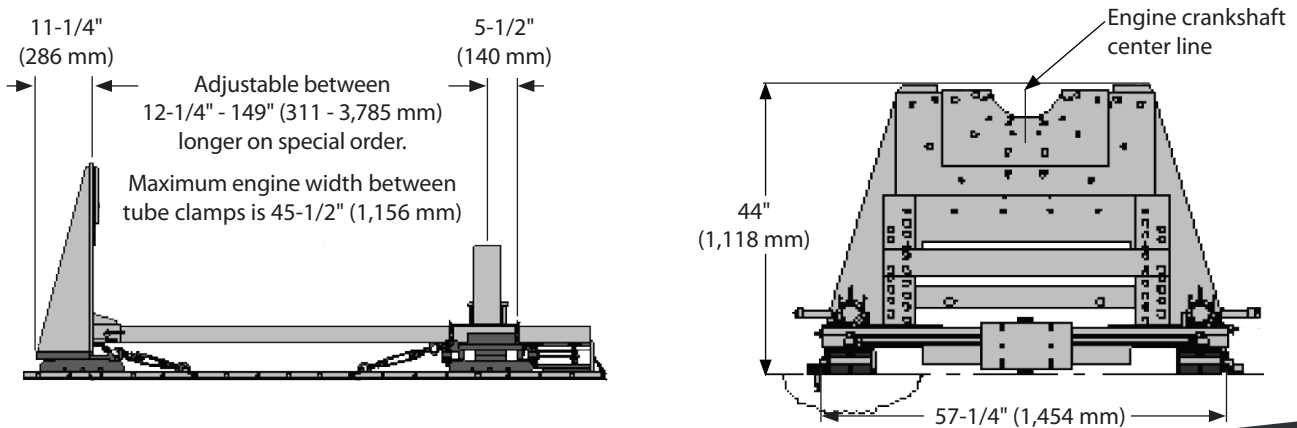
The 30,000 lb Engine Cart is engineered to provide a moveable, durable and easy-to-use method of engine mounting for dynamometer testing.

- Dead weight capacity 30,000 lb (13,608 kg)
- A spacer is required to mount the engine to the cart when the flywheel extends beyond the face of the housing
- Custom Engine Cart sizes available upon request

Key Features



Dimensions



Everything you need to succeed

