



## 18,000 lb Engine Cart System / Engine Dynamometer

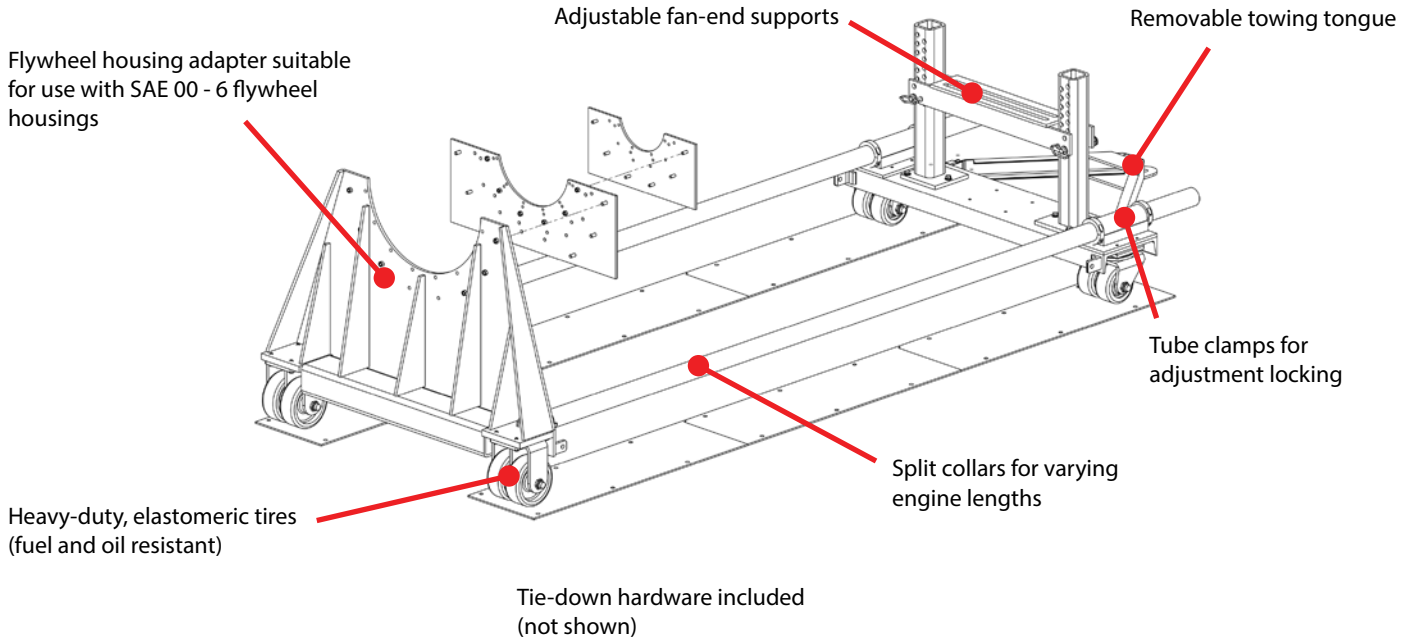


The 18,000 lb Engine Cart is engineered to provide a moveable, durable and easy-to-use method of engine mounting for dynamometer testing.

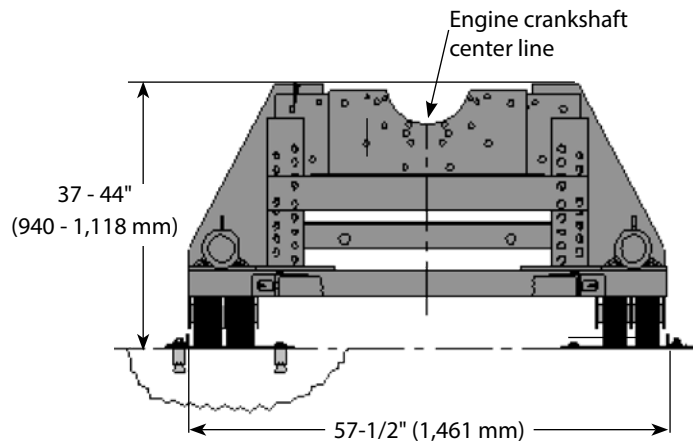
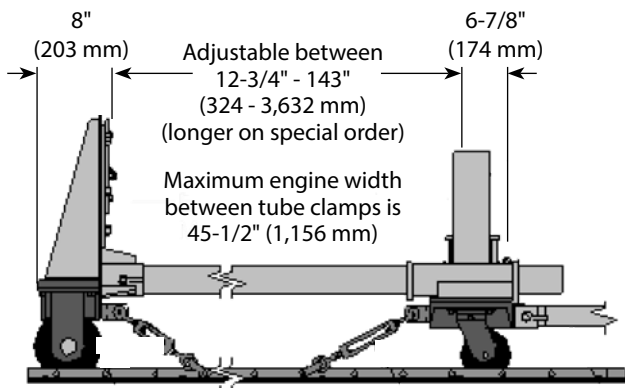
- Dead weight capacity 18,000 lb (8,165 kg)
- A spacer is required to mount the engine to the cart when the flywheel extends beyond the face of the housing
- Custom engine cart sizes available upon request

**Total Test Success**

## Key Features



## Dimensions



**Everything you need to succeed**



3602 West Wheelhouse Road, Milwaukee, Wisconsin 53208 U.S.A.  
 (414) 755-0040 [www.taylordyno.com](http://www.taylordyno.com)

SMS2518v003