



12,000 lb Engine Cart System / Engine Dynamometer

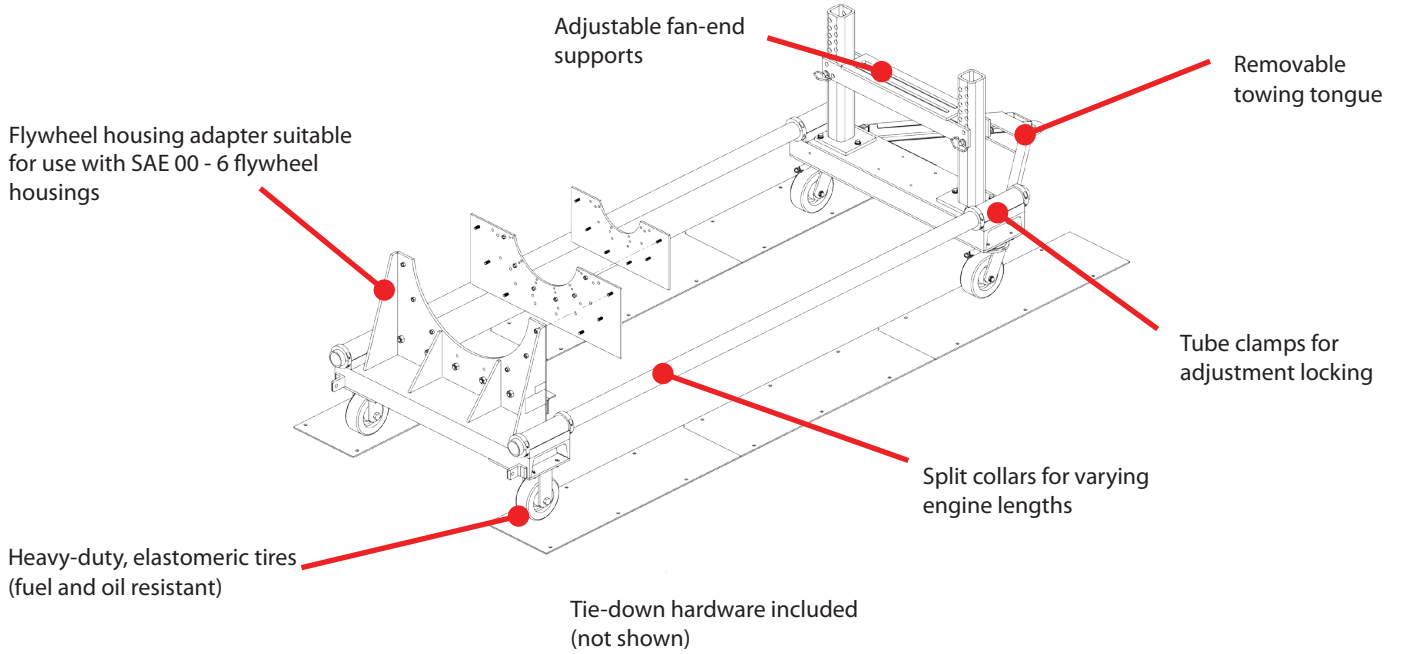


The 12,000 lb Engine Cart is engineered to provide a moveable, durable and easy-to-use method of engine mounting for dynamometer testing.

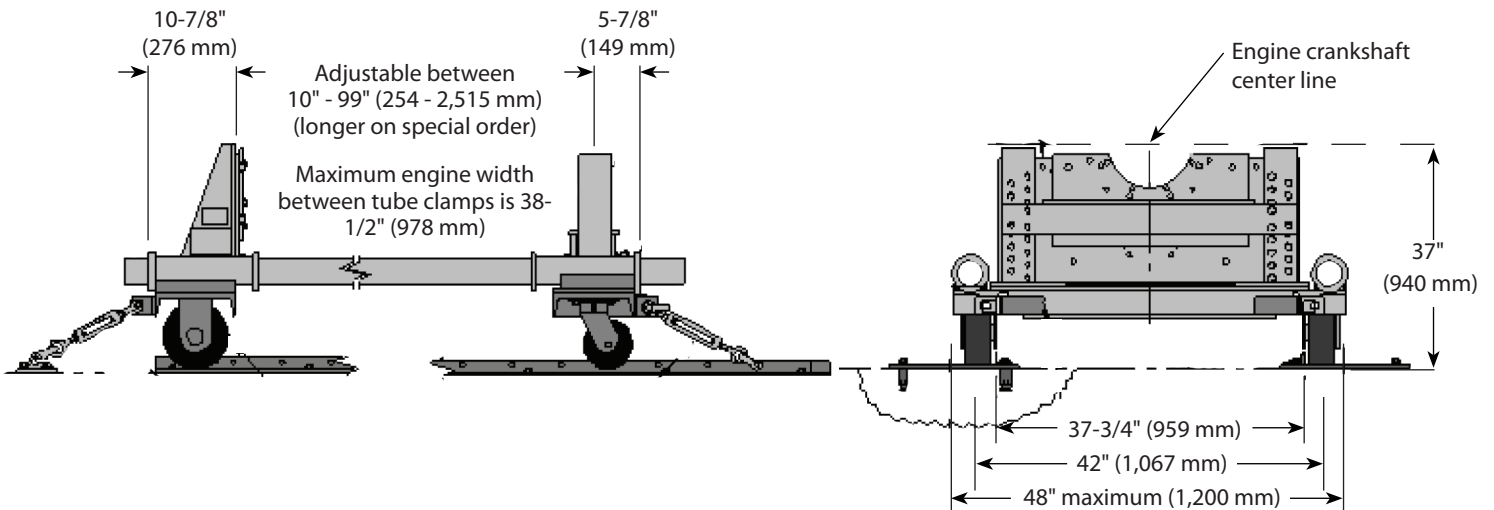
- Dead weight capacity 12,000 lb (5,443 kg)
- A spacer is required to mount the engine to the cart when the flywheel extends beyond the face of the housing
- Custom engine cart sizes available upon request

Total Test Success

Key Features



Dimensions



Everything you need to succeed



3602 West Wheelhouse Road, Milwaukee, Wisconsin 53208 U.S.A.
 (414) 755-0040 www.taylordyno.com

SMS2517v002