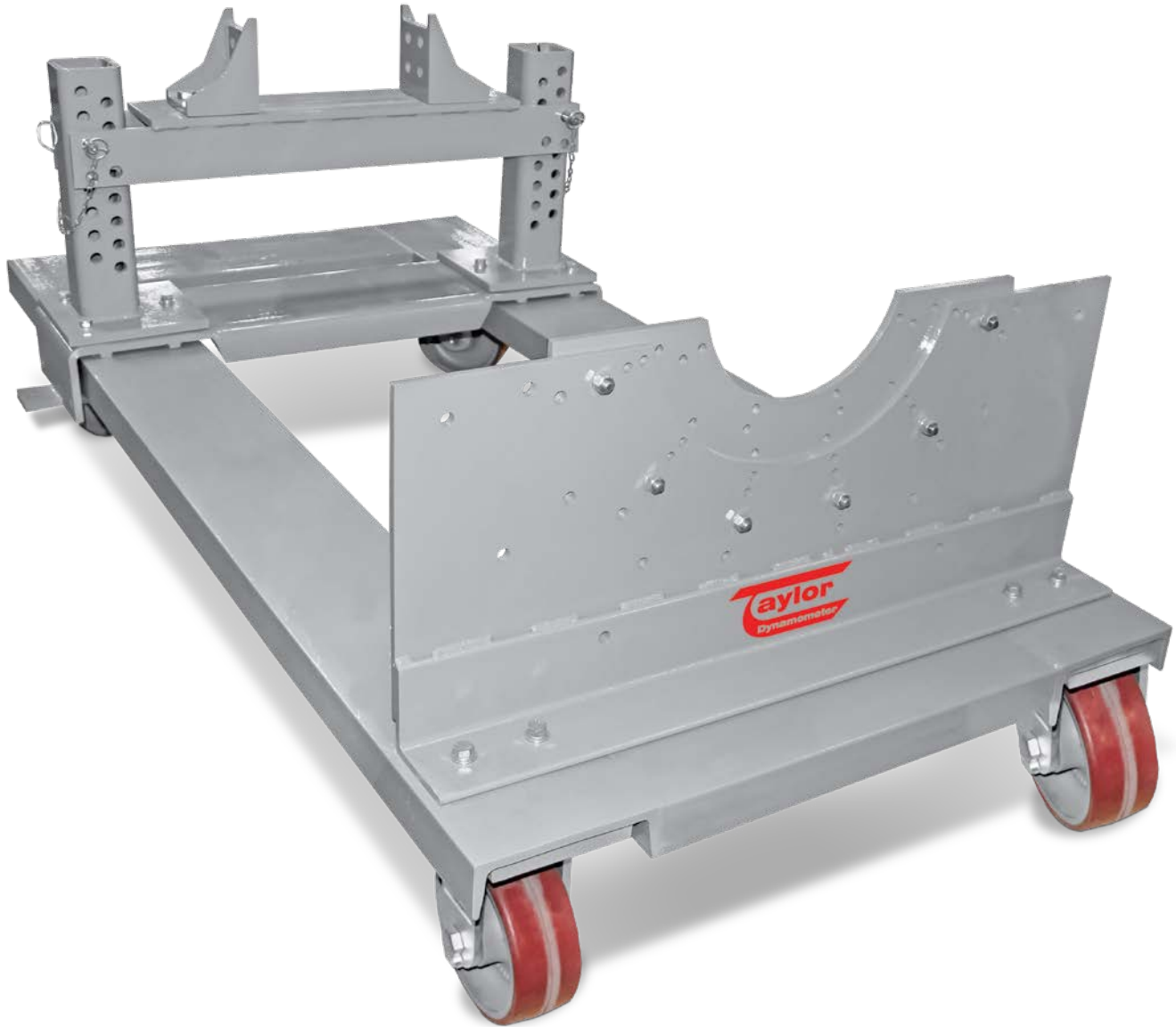




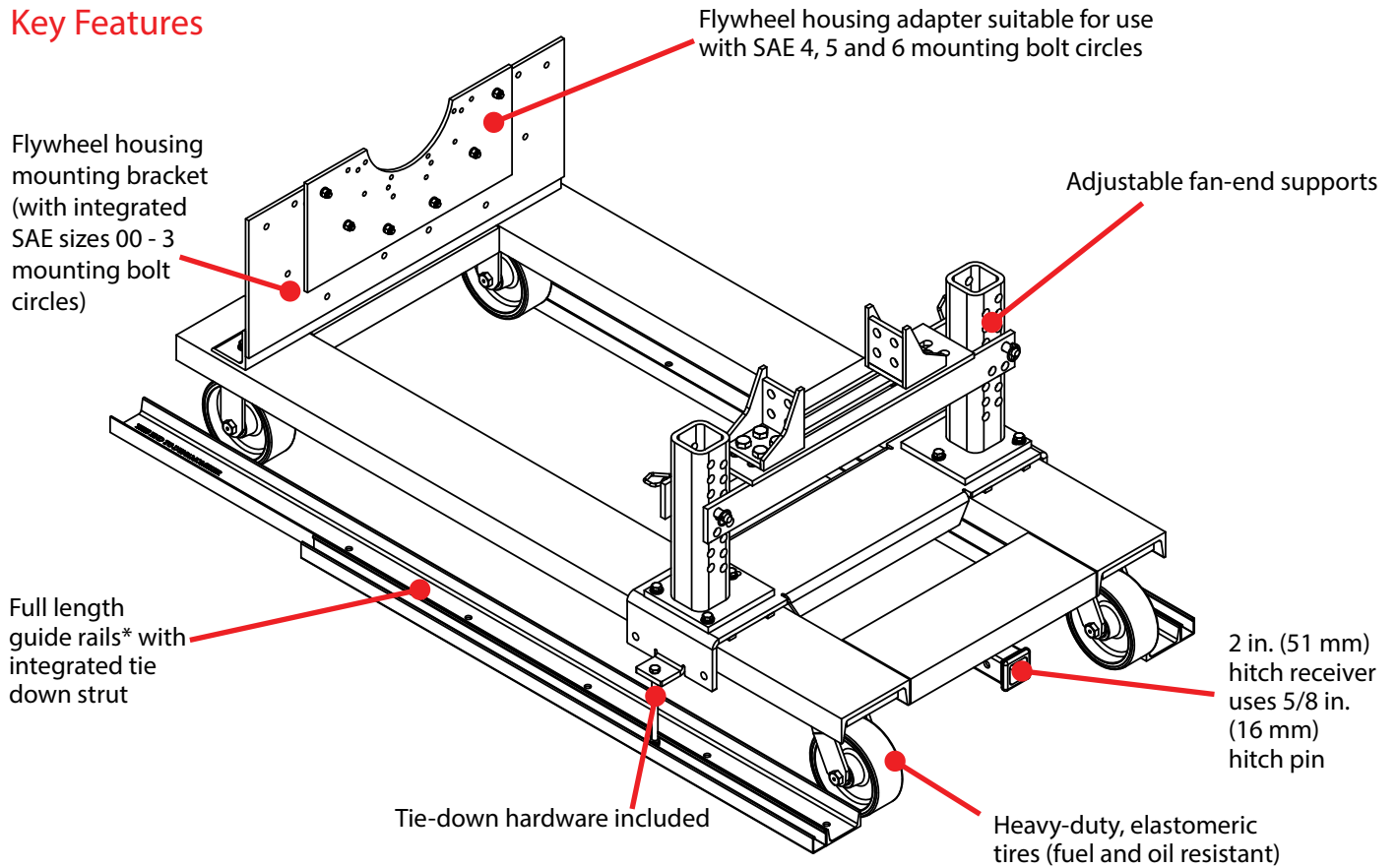
6,000 lb Engine Cart System / Engine Dynamometer



The 6,000 lb Engine Cart is engineered to provide a moveable, durable and easy-to-use method of engine mounting for dynamometer testing. The cart has a dead weight capacity 6,000 lb (2,721 kg) and custom engine cart sizes available upon request.

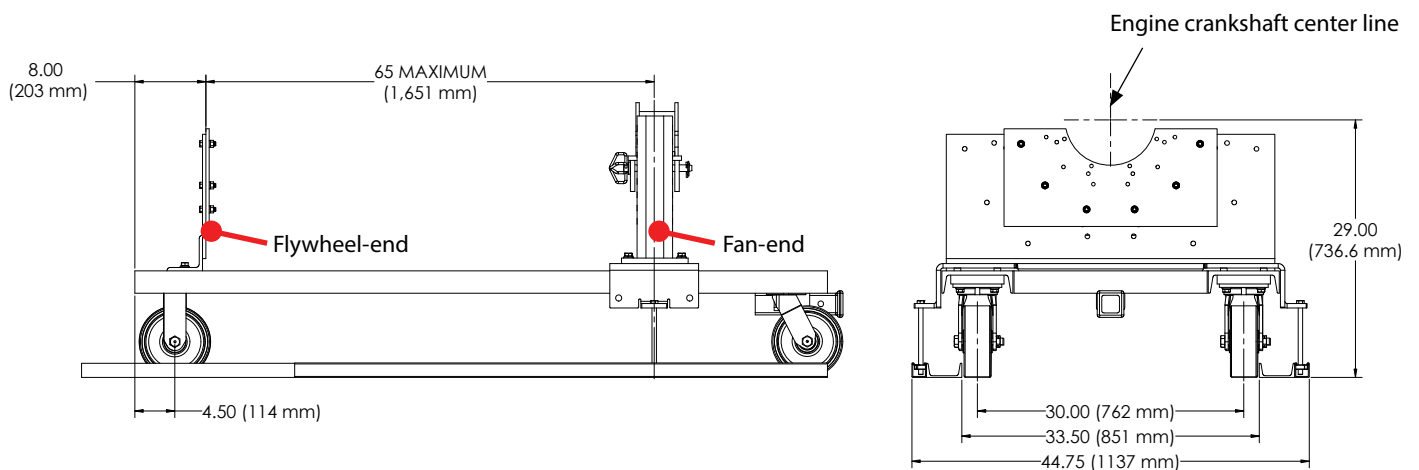
Total Test Success

Key Features



*Mounting hardware not included 1/2 in. (13 mm) 3,000 lb (13 kN) pull-out strength floor anchors are recommended

Dimensions



Everything you need to succeed



3602 West Wheelhouse Road, Milwaukee, Wisconsin 53208 U.S.A.
(414) 755-0040 www.taylordyno.com

SMS2516v004