



Flywheel Adapter Caterpillar / Engine Dynamometer

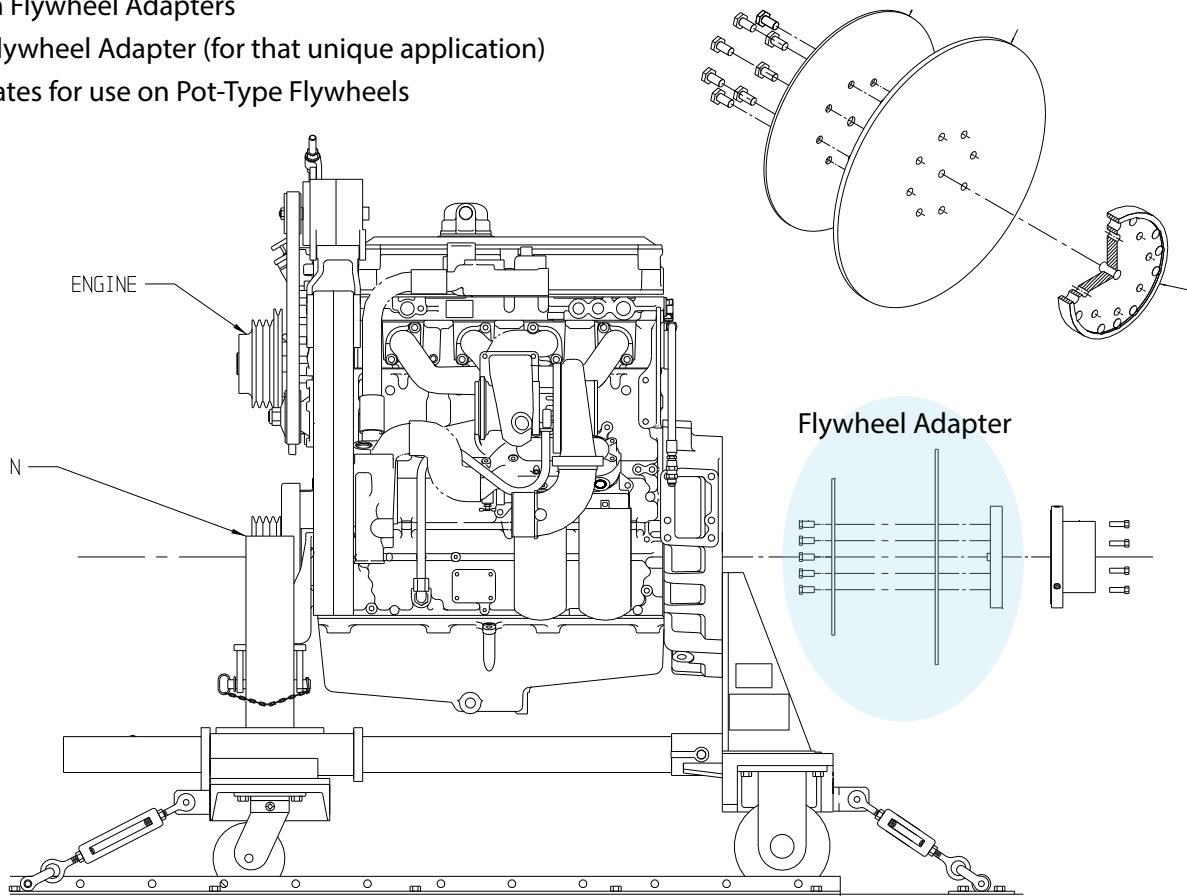
Caterpillar (CAT®) Flywheel Adapter Kit

CAT® Flywheel Adapter Kit will fit the most common engine configurations in addition to other older or discontinued models:

- **CAT®** 3046, D3, D4, D5, 3054, 3114, 3306, 3116, 3176, 3196, C9, C10, C12, 3406, 3408, C15, C16, D379, D398, D399 and C15
- **CAT® / Perkins** 3126, 3126M and 3056
- **Allis Chalmers** 3500

The CAT® Flywheel Adapter Kit includes:

- An 1810 or 1880 / 1910 Hub Adapter
- Wall Mount Holder for your Adapters
- 8 Custom Flywheel Adapters
- 1 Blank Flywheel Adapter (for that unique application)
- 2 Pilot Plates for use on Pot-Type Flywheels



Everything you need to succeed

