



Flywheel Adapter Kit TD-3100 / Engine Dynamometer

Flywheel Adapter Kit TD-3100

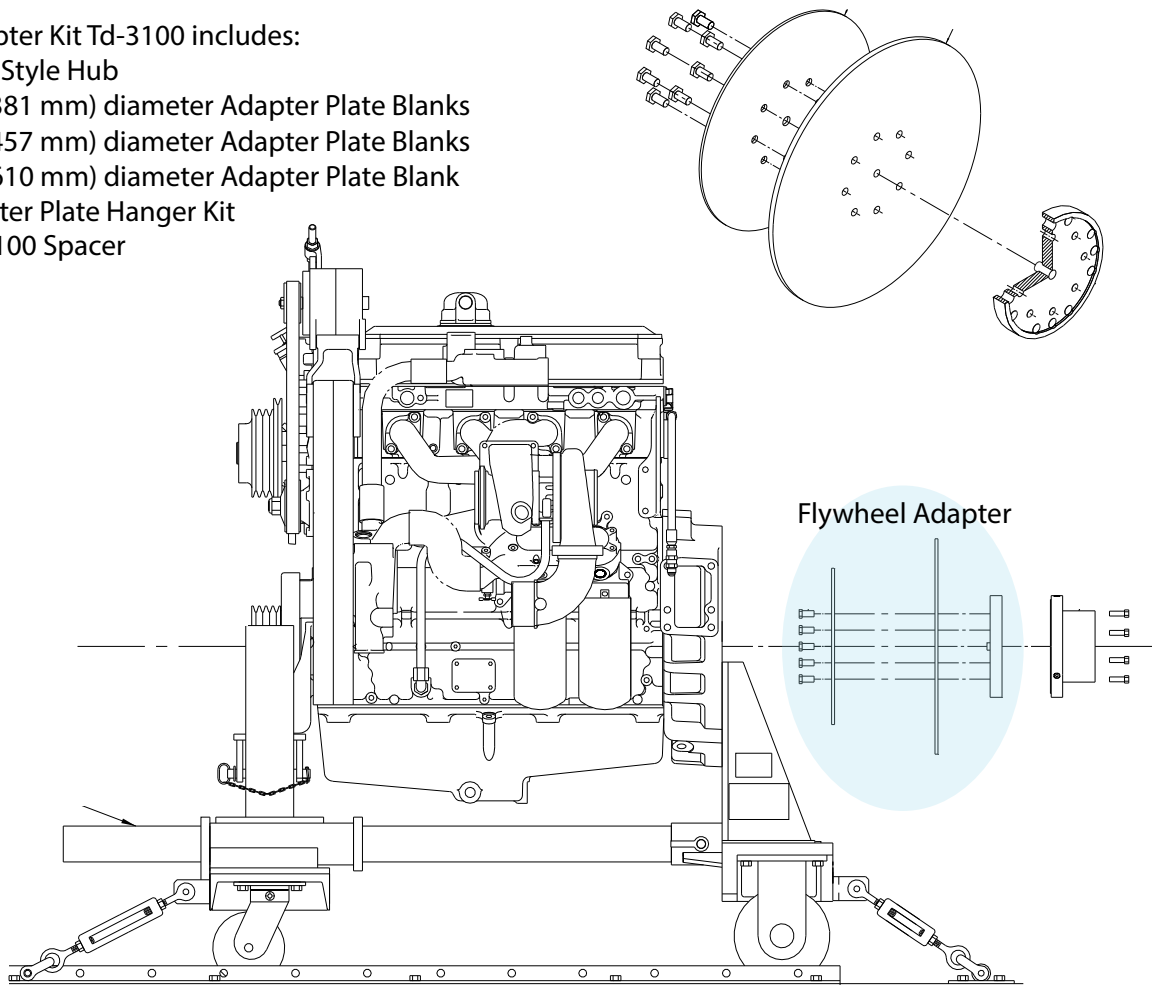
The flywheel adapter plate bolts to the flywheel of the engine. The flywheel adapter plate is available with a rough-cut diameter, from 15 - 24" (381 - 610 mm) and is pre-formed and machined to mate with a hub. Final machining of the outside diameter and drilling of the attaching holes to fit the clutch cover bolt holes in the flywheel must be performed by the purchaser to ensure correct fit. Additional adapter plates are available for purchase separately.

Flywheel Adapter Kit features include:

- Adapter plate can be drilled with various flywheel patterns, avoid stocking different plates for each engine model tested.
- Hub is bolted to the flywheel adapter plate to ensure proper location and centering of the dynamometer.
- A spacer is introduced between the flywheel housing adapter and the trunnion housing to compensate for the adapter plate and 3100 style hub build up.

Flywheel Adapter Kit Td-3100 includes:

- One 3100 Style Hub
- Two 15" (381 mm) diameter Adapter Plate Blanks
- Two 18" (457 mm) diameter Adapter Plate Blanks
- One 24" (610 mm) diameter Adapter Plate Blank
- One Adapter Plate Hanger Kit
- One TD-3100 Spacer



Everything you need to succeed

