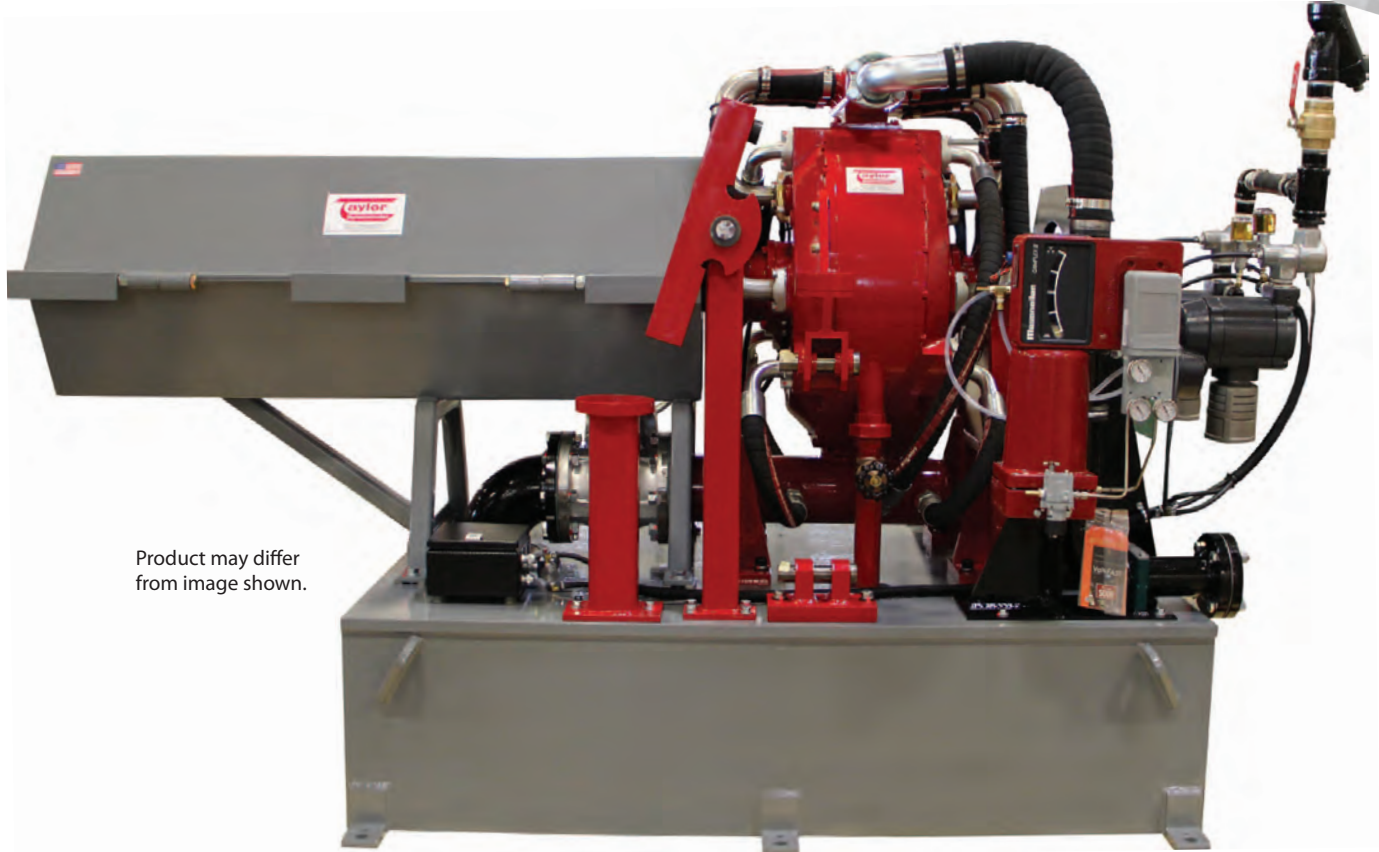




DL10K / Engine Dynamometer



Product may differ
from image shown.

DL10K Water Brake Dynamometer

Specifications

Power: 10,000 hp (7,457 kW)

Torque: 68,109 ft-lb (92,344 N)

Speed: 2,550 rpm

Water Use: 727 gpm (45.8 lps) (No Cooling System)

Inertia Value with Companion Flange: 340 ft² · lb

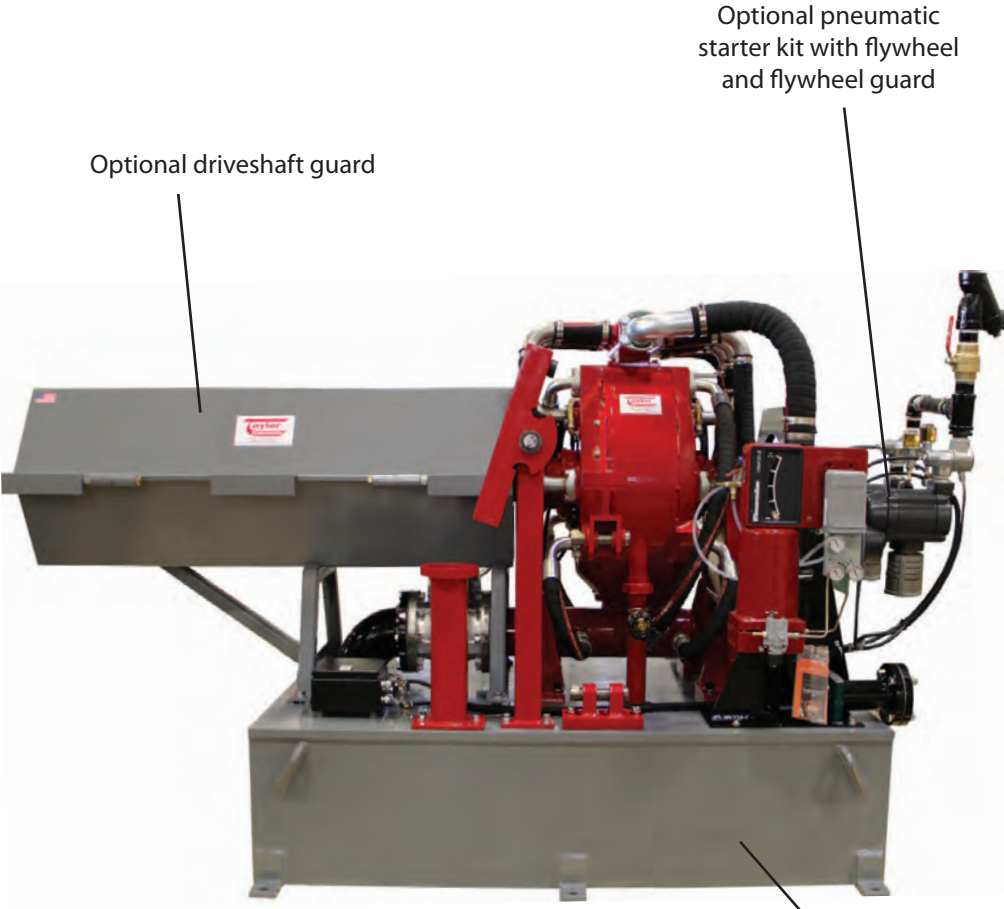
Shipping Weight: 3,550 lb (1,610 kg)

Recommended Accessories

- Driveshaft
- Closed Loop Cooling Center
- Engine Cart
- Fuel Measurement Unit (FMU)
- Adapter Plate Kit
- Air Starter
- Driveshaft Guard
- Sub-Base Kit
- Throttle Control
- Water Recirculating System

Total Test Success

Optional Accessories



Optional driveshaft guard

Optional pneumatic starter kit with flywheel and flywheel guard

Optional sub-base kit

DL8K shown above with available options

Optional Closed Loop Cooling Center



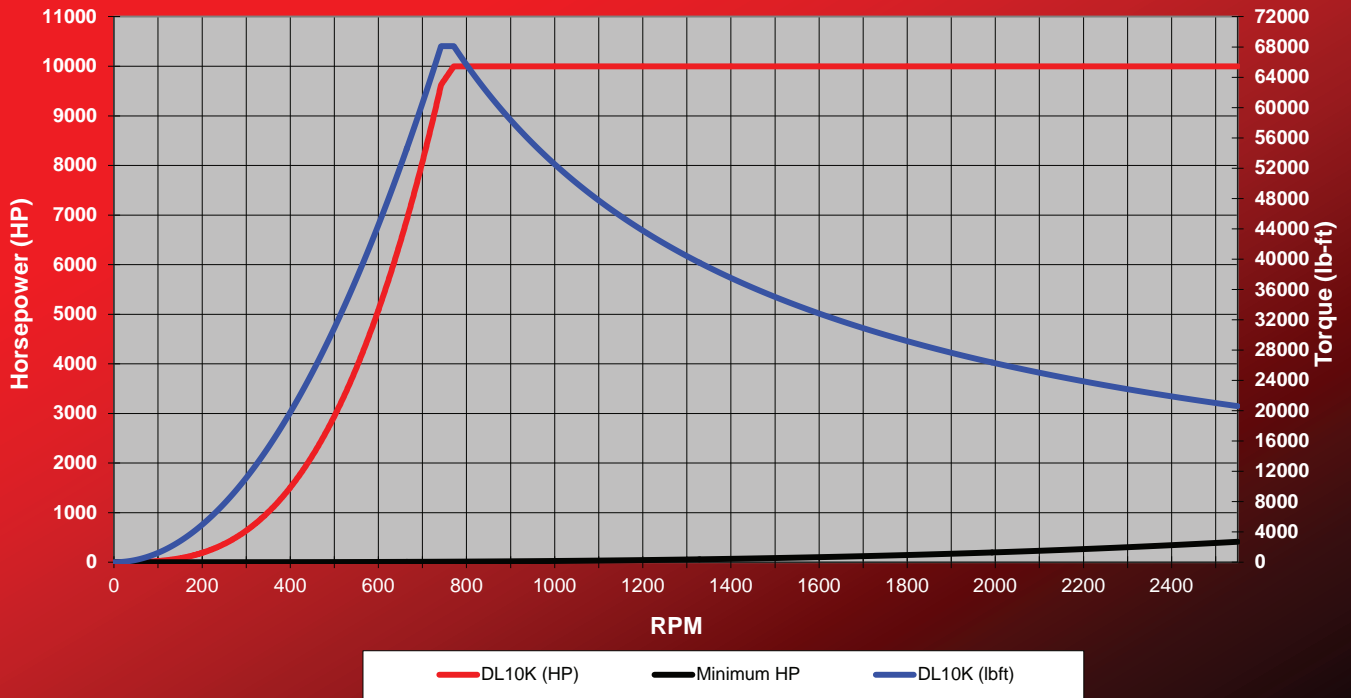
Optional Engine Cart



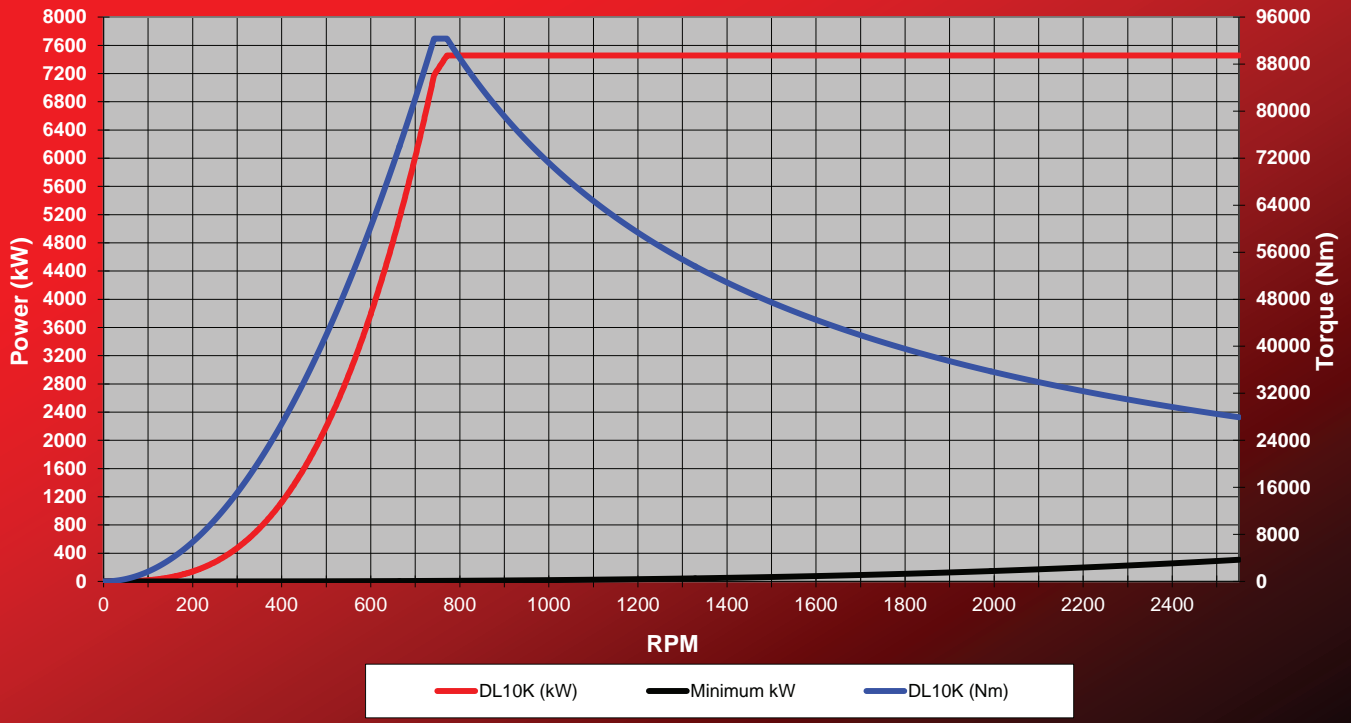
Optional Fuel Measurement Unit

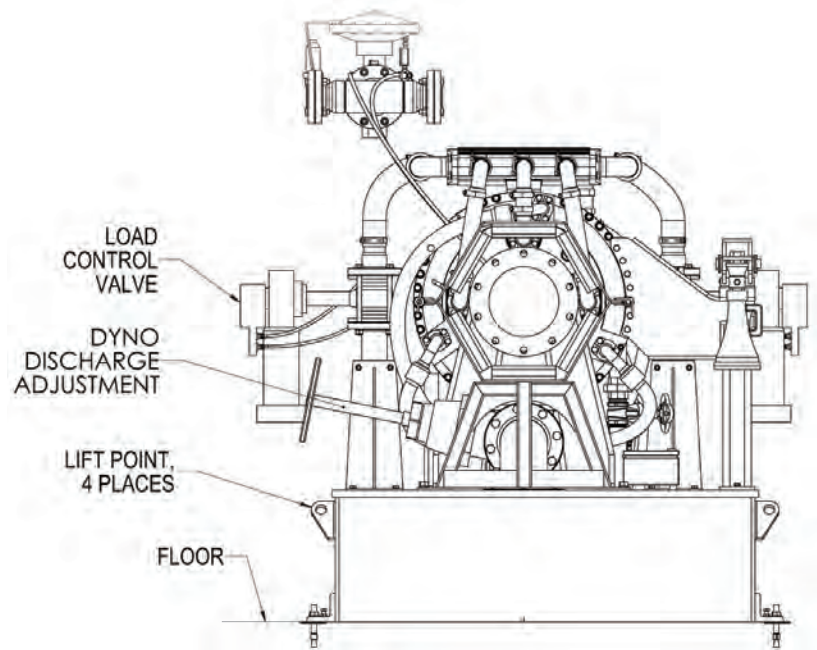
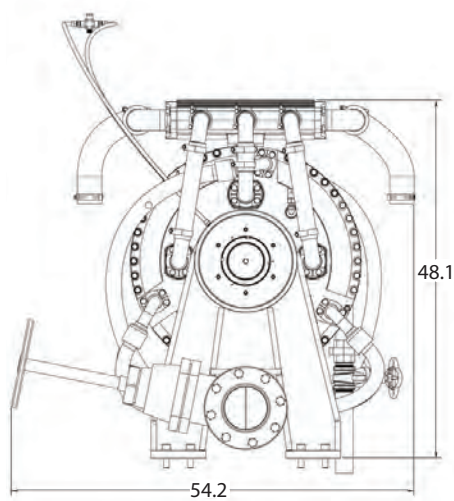
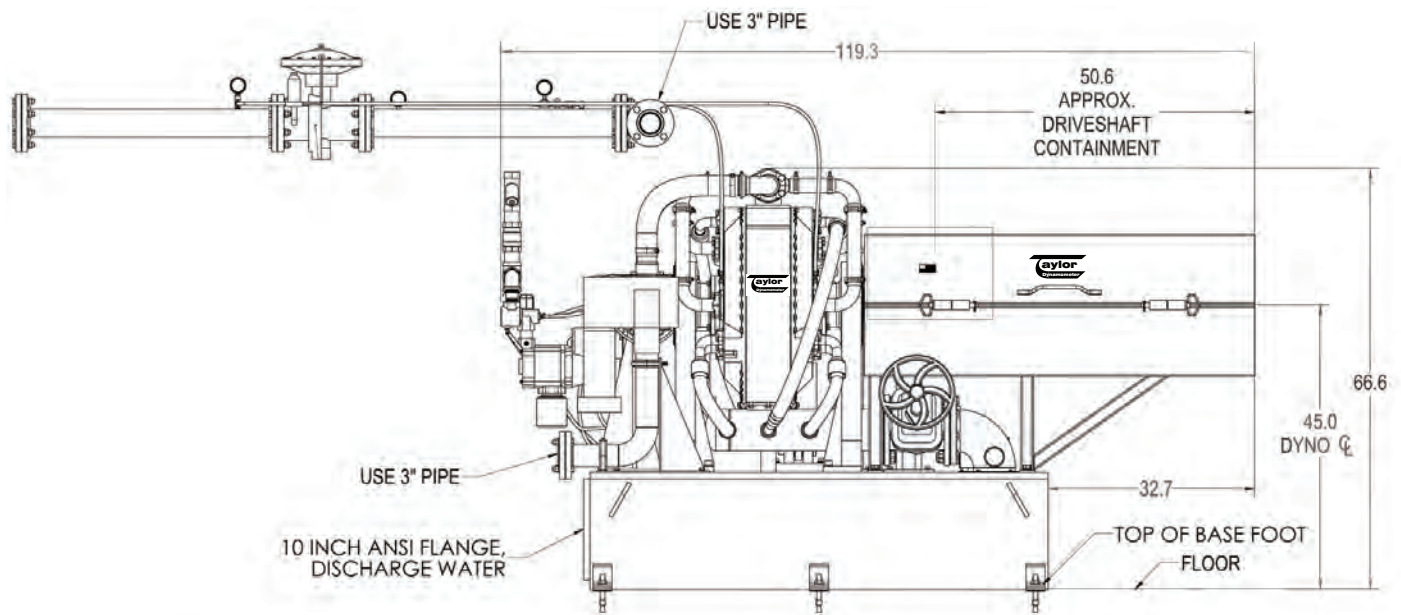


DL10K (English)



DL10K (Metric)





Dimensions shown in inches.

Specifications

Power: 10,000 hp (7,457 kW)

Torque: 68,109 ft-lb (92,344 N)

Speed: 2,550 rpm

Water Use: 727 gpm (45.8 lps) (No Cooling System)

Inertia Value with Companion Flange: 340 ft² · lb

Shipping Weight: 3,550 lb (1,610 kg)

Everything you need to succeed



3602 West Wheelhouse Road, Milwaukee, Wisconsin 53208 U.S.A.
 (414) 755-0040 www.taylordyno.com

SMS2041v004