



DL2K / Engine Dynamometer

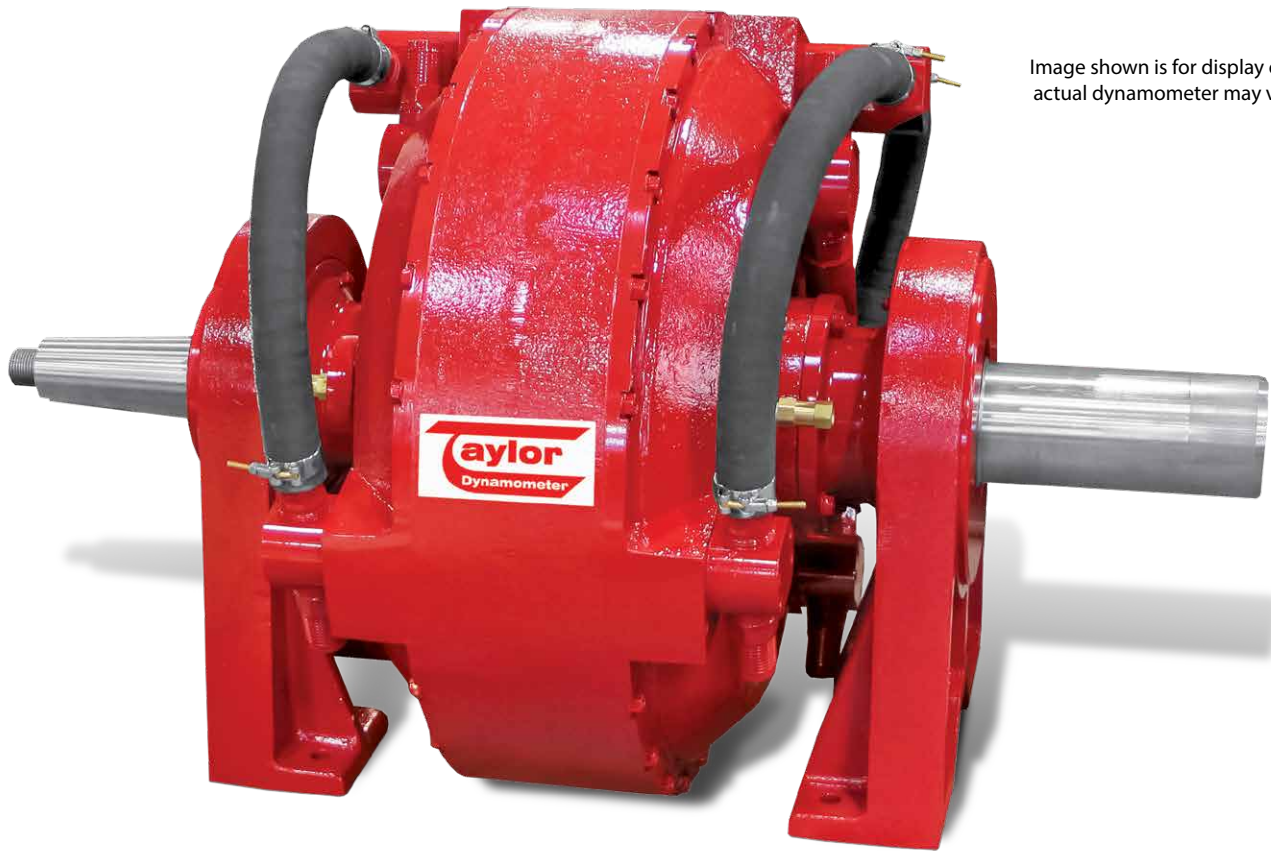


Image shown is for display only, actual dynamometer may vary.

DL2K Water Brake Dynamometer

Specifications

Power:	2,000 hp (1,491 kW)
Torque:	23,873 lb-ft (32,367 Nm)
Speed:	2,550 rpm
Water Use*:	146 gpm (552.7 lpm)
Inertia Value**:	311.4 lb·ft ² (13.12 kg·m ²)
Shipping Weight:	3,339 lb (1,515 kg)

*No Cooling System

**With Companion Flange

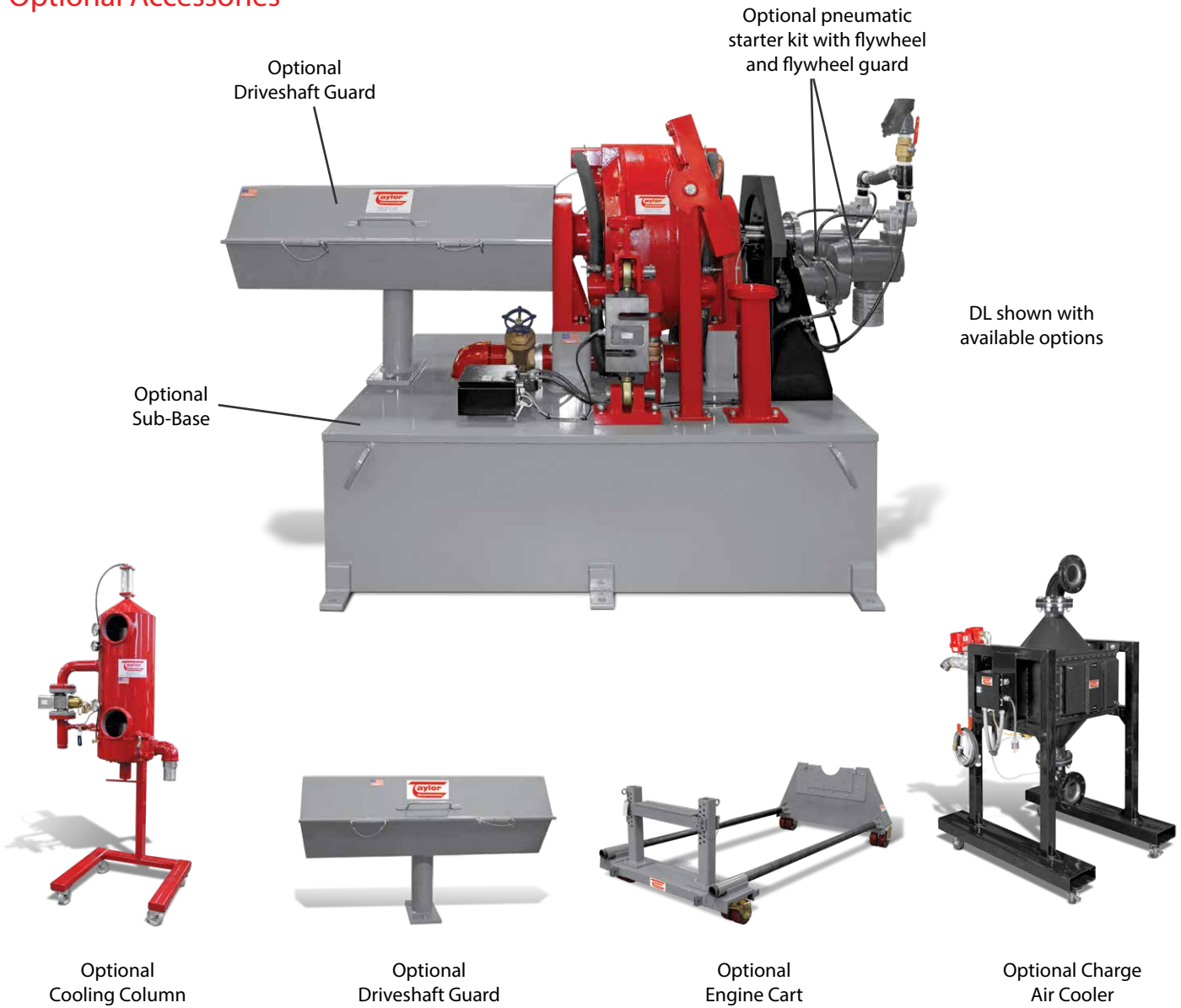
For overhung loads, such as a belt or gear drive, please contact Taylor Dynamometer to ensure that the system will meet the required performance needs.

Recommended Accessories

- Driveshaft
- Driveshaft Guard
- Adapter Plate Kit
- Engine Cart - 12,000 lb (5,443 kg)
- Cooling Column - 2,500 hp (1,864 kW)
- Air Starter
- Charge Air Cooler
- Throttle Control
- Water Recirculating System

Total Test Success

Optional Accessories



Various Facility Support Systems and Services Available



Bulk Fuel Storage and Distribution



Coolant Storage and Distribution



Water Recirculation

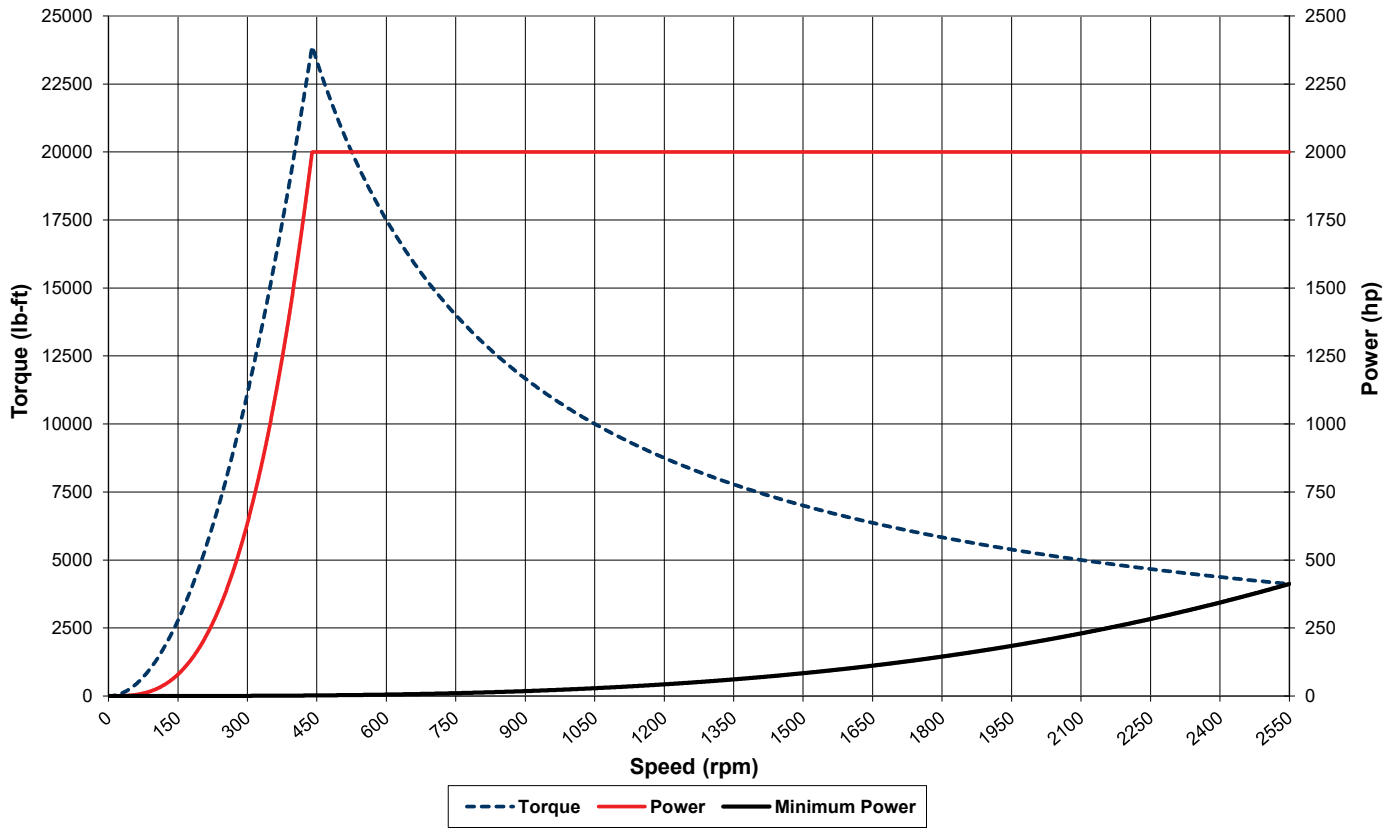


Design Services

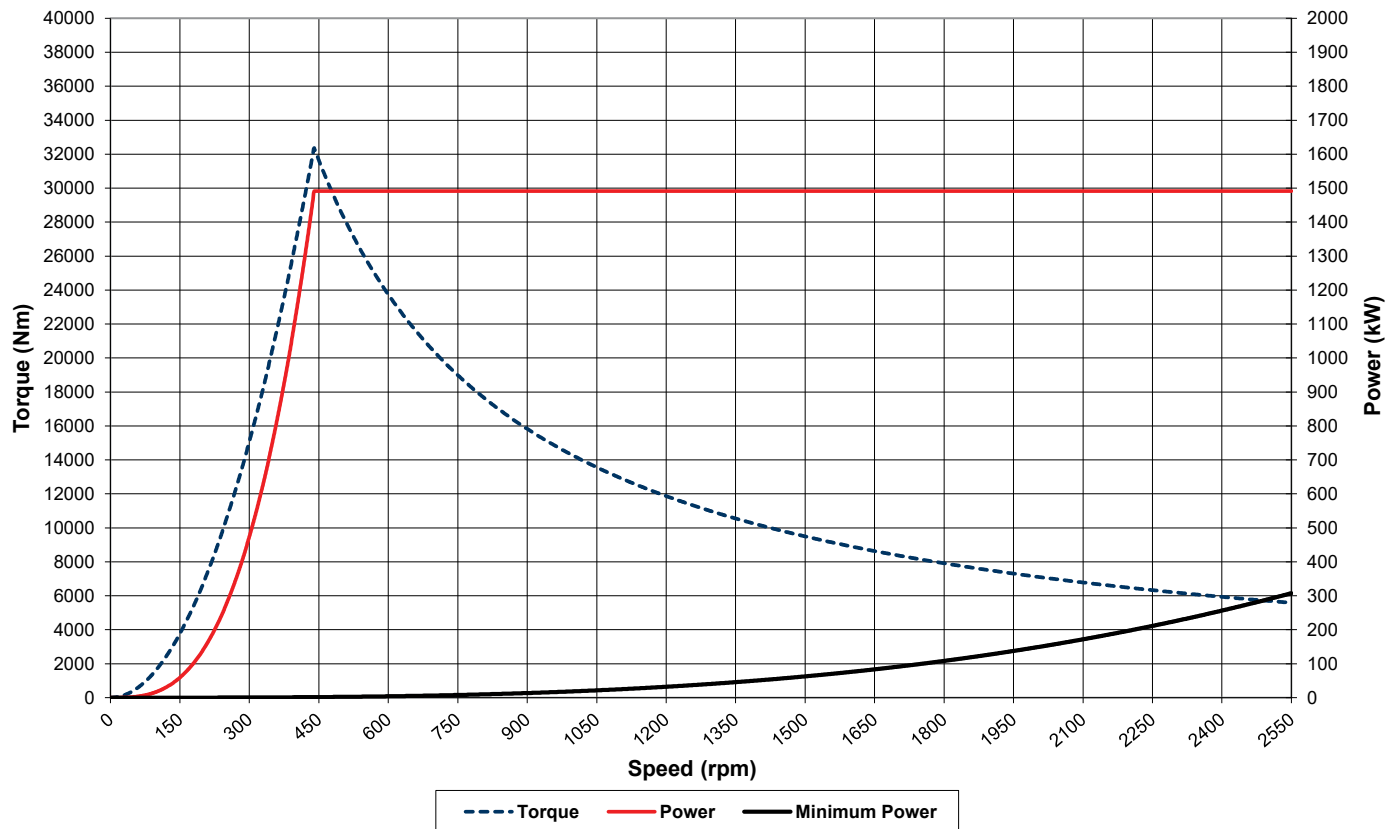


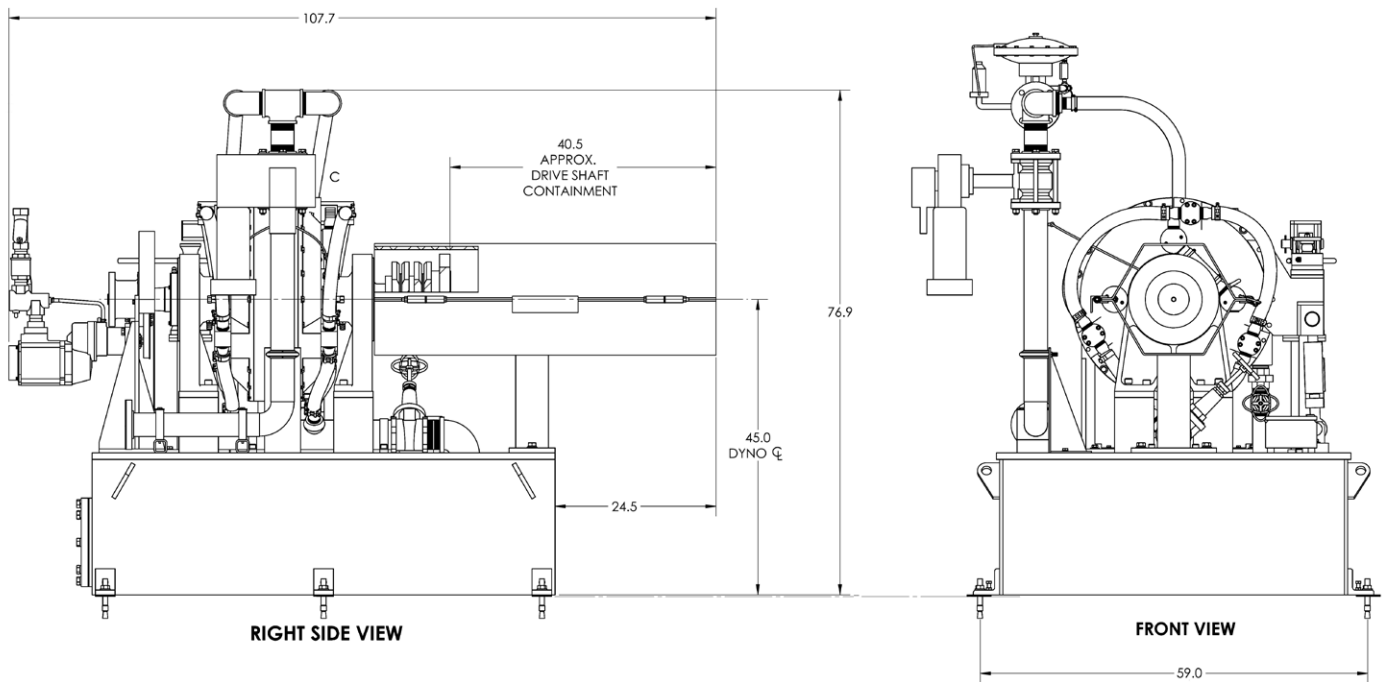
Commissioning, Start-up & Training

DL2K (US Customary)



DL2K (S.I.)





Specifications

Power:	2,000 hp (1,491 kW)
Torque:	23,873 lb-ft (32,367 Nm)
Speed:	2,550 rpm
Water Use*:	146 gpm (552.7 lpm)
Inertia Value**:	311.4 lb·ft ² (13.12 kg·m ²)
Shipping Weight:	3,339 lb (1,515 kg)

*No Cooling System

**With Companion Flange

As a safety precaution, Taylor Dynamometer recommends a torsional analysis to uncover any potential torsional problems that exist for each application. This analysis will identify any torsional issues (frequencies) that should be fixed prior to operation. Excessive linear vibration may also create problems that must be mitigated for continued operation. It is the customer's responsibility to ensure that these vibration issues are addressed upon application of the dynamometer. Equipment failures attributed to linear or torsional vibration are not warrantable.

Everything you need to succeed



3602 West Wheelhouse Road, Milwaukee, Wisconsin 53208 U.S.A.
 (414) 755-0040 www.taylordyno.com

SMS2037v005