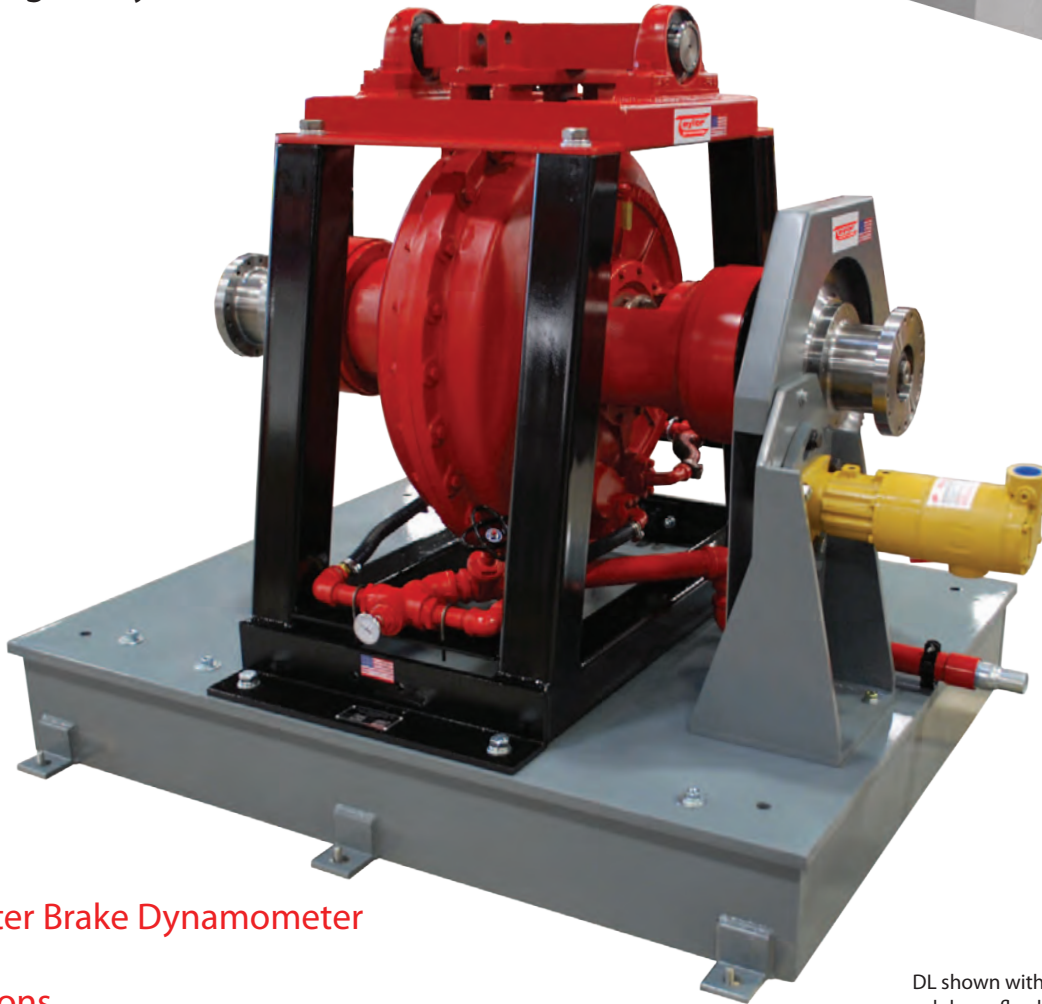




DL550 / Engine Dynamometer



DL550 Water Brake Dynamometer

Specifications

Power: 550 hp (410 kW)

Torque: 8,422 ft-lb (11,418 Nm)

Speed: 2,550 rpm

Water Use: 40 gpm (2.5lps) (No Cooling System)

Inertia Value with Companion Flange: 84.5 ft² · lb

Shipping Weight: 1,543 lb (700 kg)

DL shown with optional air starter, sub base, flywheel, flywheel cover and companion flanges.

Recommended Accessories

- Driveshaft - 1910
- Cooling Column - 1,250 hp (932 kW)
- Engine Cart - 6,000 lb (2,724 kg)
- Adapter Plate Kit - 1910
- Air Starter
- Shaft Guard
- Charge Air Cooler
- Base Kit
- Water Recirculating System

Total Test Success

Optional Accessories



DL shown with scissor lift base option.

Optional
Closed Loop
Cooling Center

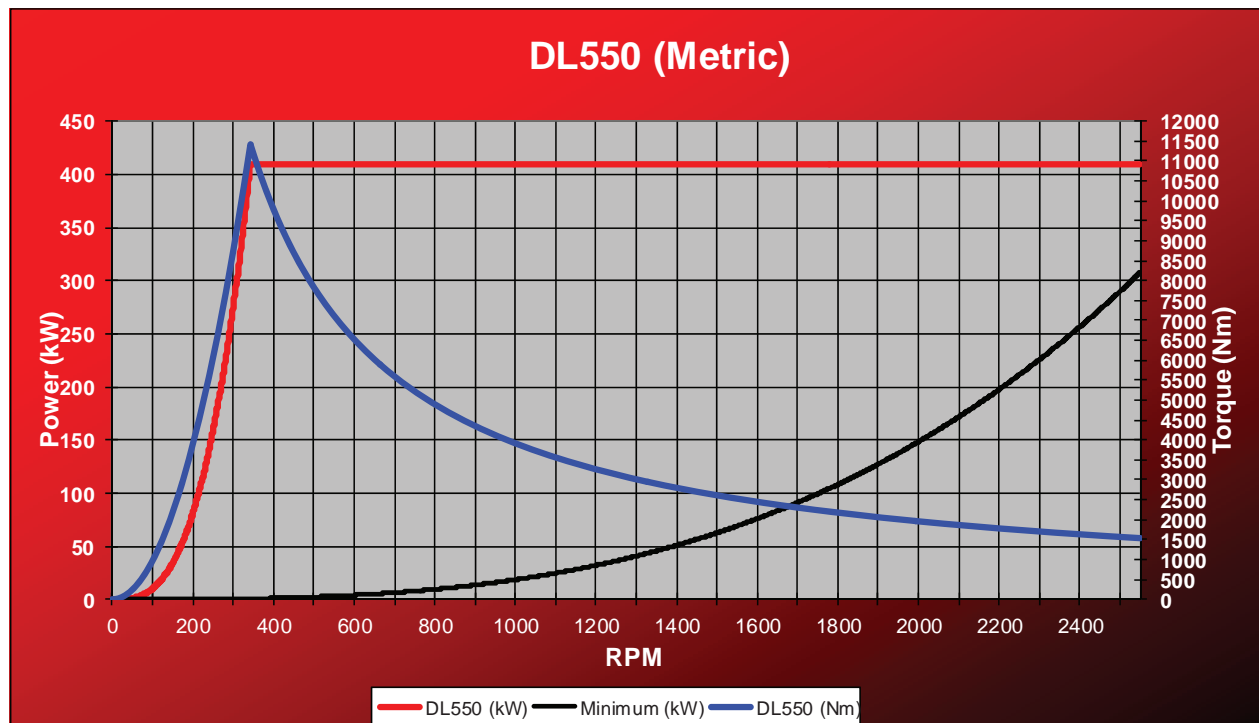
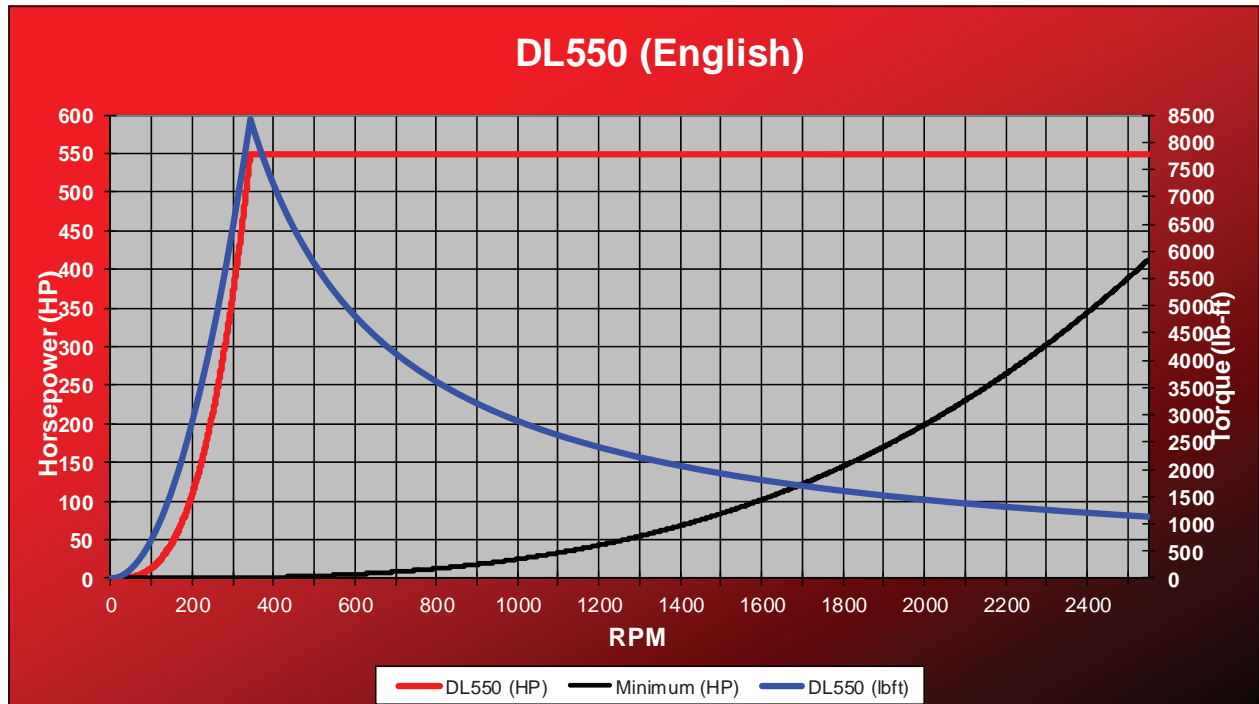


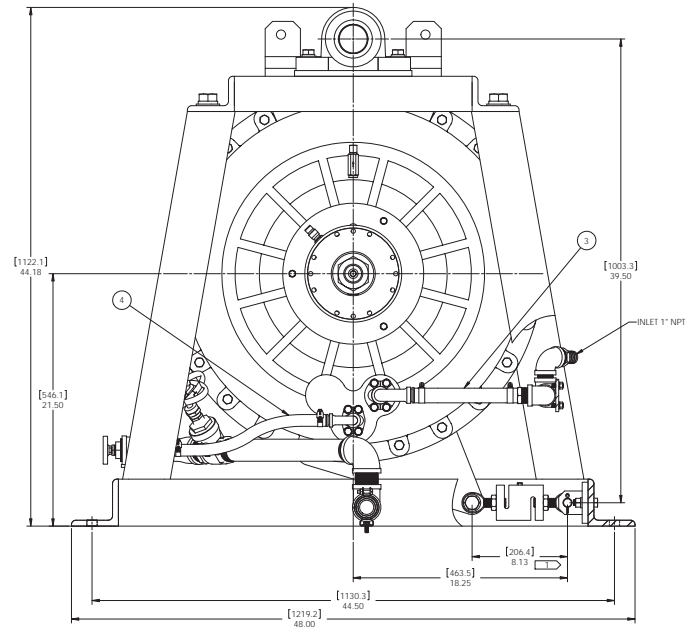
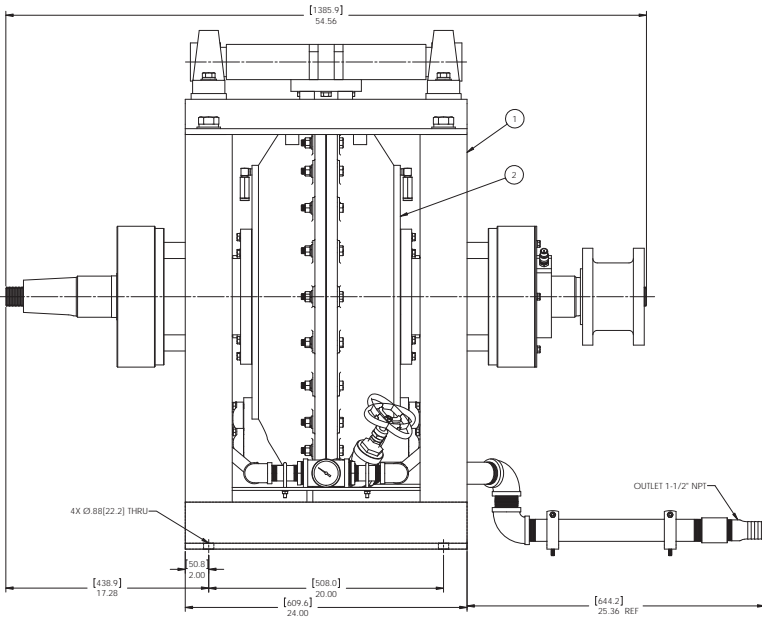
Optional
Engine Cart



Optional
Charge
Air Cooler







Specifications

Power: 550 hp (410 kW)

Torque: 8,422 ft-lb (11,418 Nm)

Speed: 2,550 rpm

Water Use: 40 gpm (2.5 lps (No Cooling System)

Inertia Value with Companion Flange: 84.5 ft² · lb

Shipping Weight: 1,543 lb (700 kg)

Everything you need to succeed



3602 West Wheelhouse Road, Milwaukee, Wisconsin 53208 U.S.A.
 (414) 755-0040 www.taylordyno.com

SMS2035v004