



DE80 / Engine Dynamometer



Image shown is for display only, actual dynamometer may vary.

DE80 Eddy Current Engine Dynamometer

Specifications

Power:	107 hp (80 kW)
Torque:	118 lb-ft (160 Nm)
Speed:	14,000 rpm
Water Use*:	15 gpm (56.8 lpm)
Inertia Value:	0.65 lb·ft ² (0.0275 kg·m ²)
Shipping Weight:	1,213 lb (550 kg)
Rotation:	bi-directional

*No Cooling System

For overhung loads, such as a belt or gear drive, please contact Taylor Dynamometer to ensure that the system will meet the required performance needs.

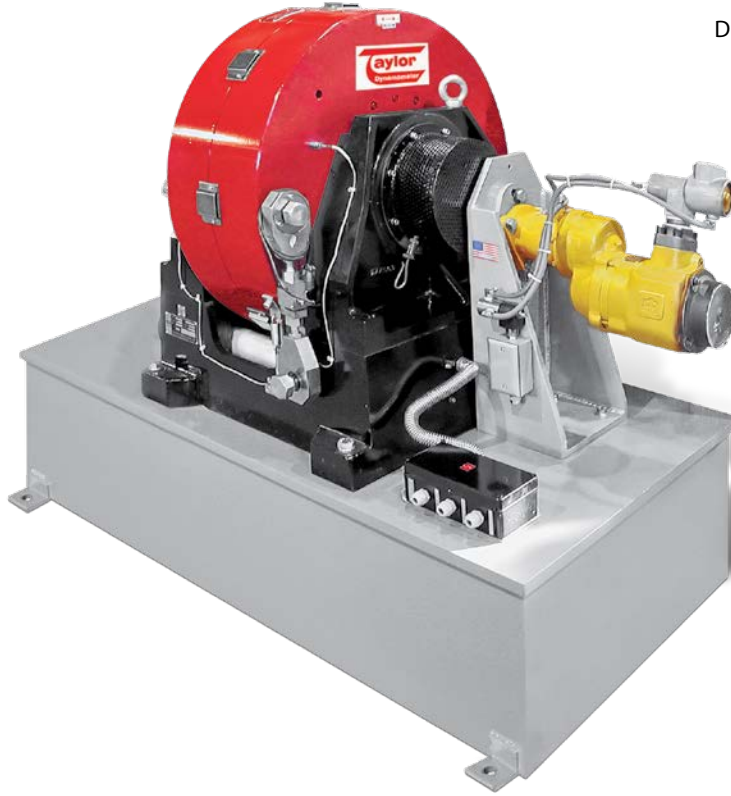
Recommended Accessories

- Driveshaft
- Driveshaft Guard
- Adapter Plate Kit
- Engine Cart
- Cooling Column
- Charge Air Cooler
- Water Recirculating System

Total Test Success

Optional Accessories

DE250 shown with optional sub-base and air starter



Optional Cooling Column



Optional Driveshaft Guard



Optional Engine Cart



Optional Charge Air Cooler

Various Facility Support Systems and Services Available



Bulk Fuel Storage and Distribution



Coolant Storage and Distribution



Water Recirculation

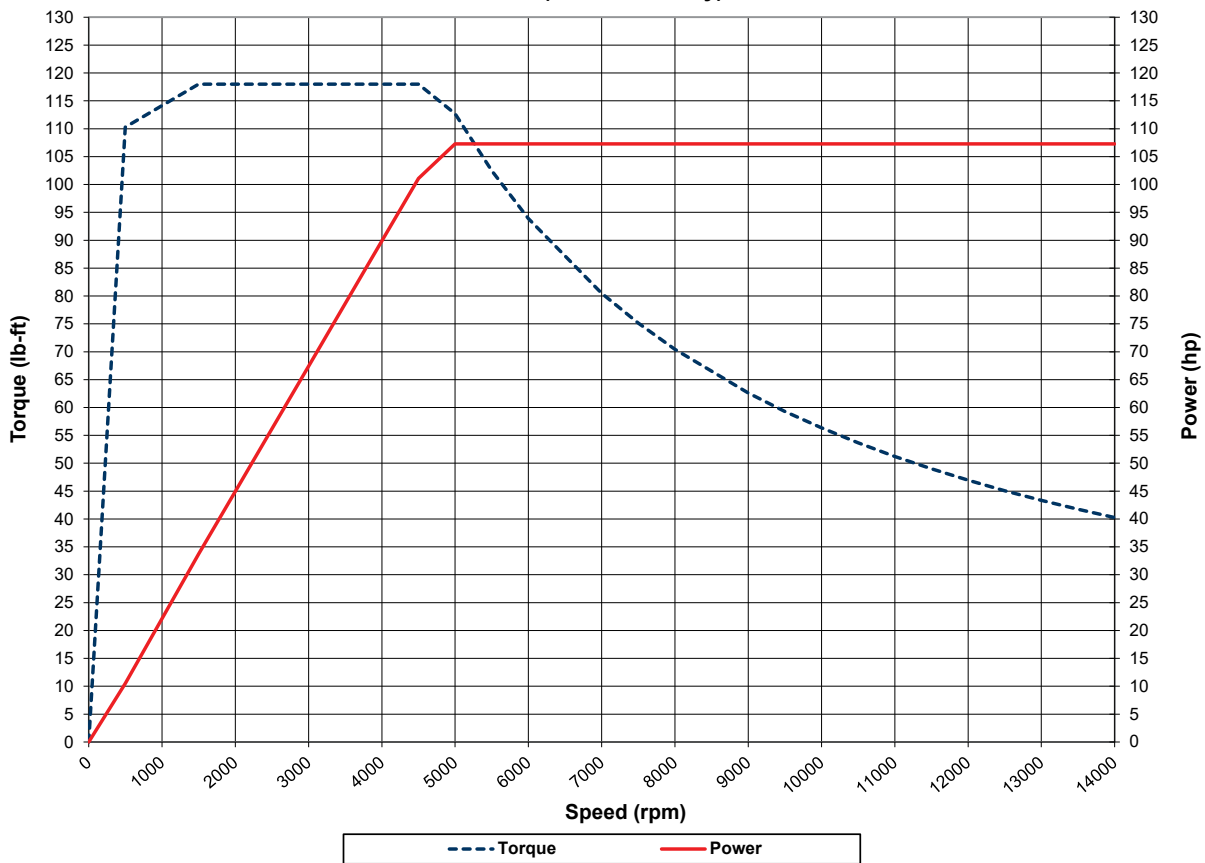


Design, Project & Construction Management Services

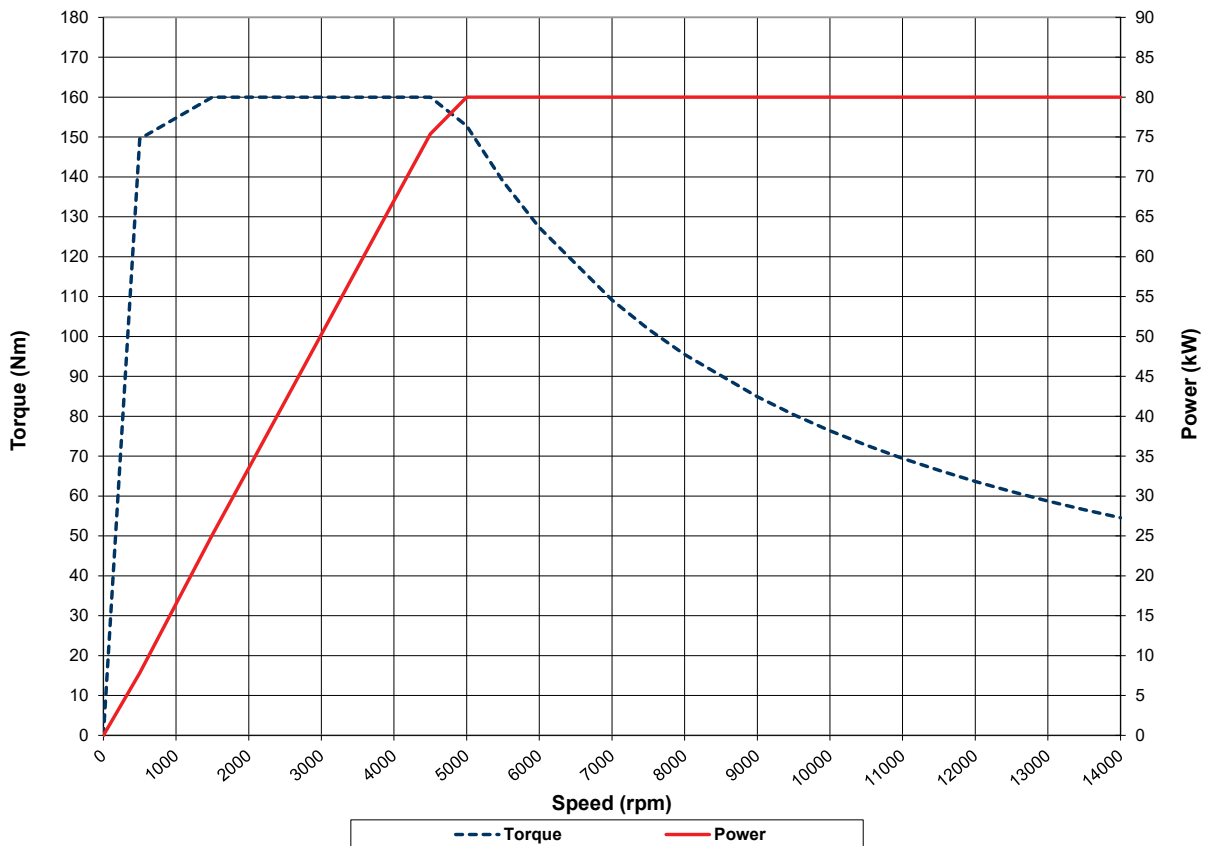


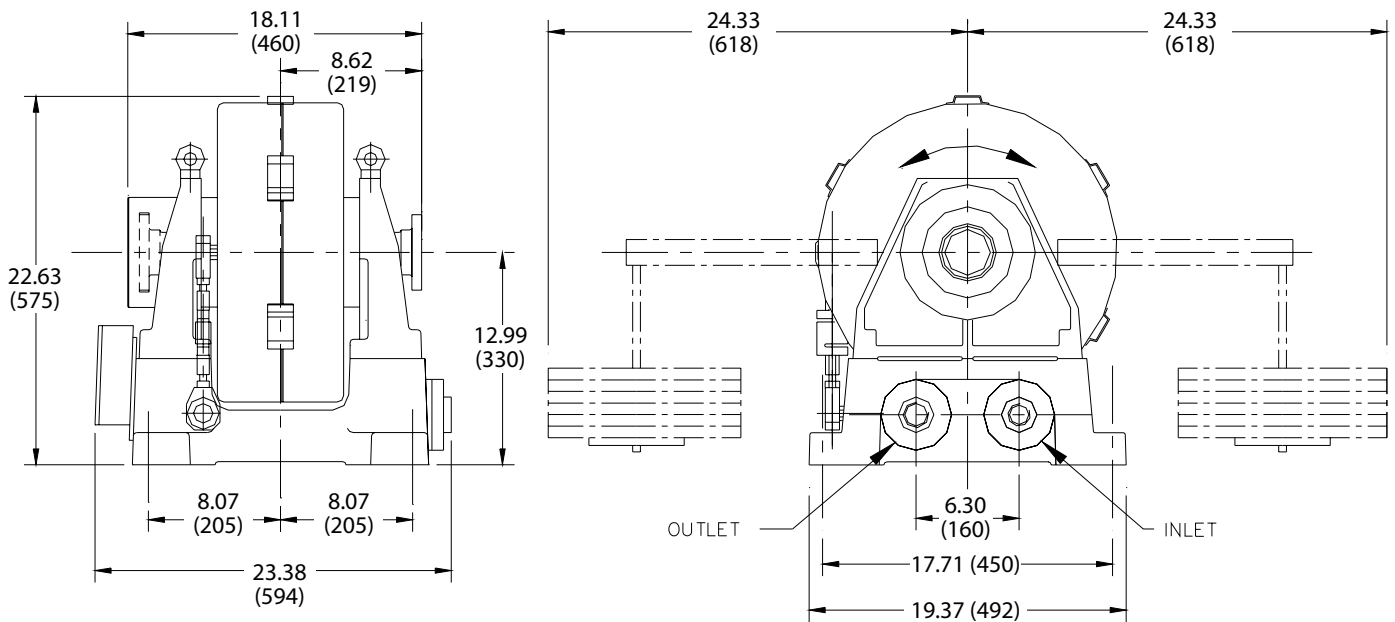
Commissioning, Start-up & Training

DE80 (US Customary)



DE80 (S.I.)

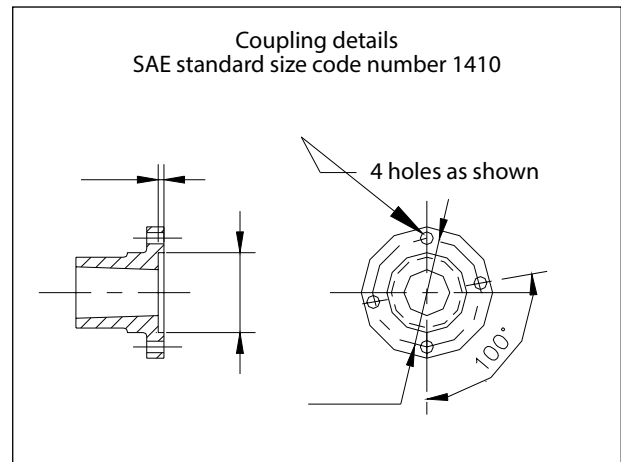




Specifications

Power:	107 hp (80 kW)
Torque:	118 lb-ft (160 Nm)
Speed:	14,000 rpm
Water Use*:	15 gpm (56.8 lpm)
Inertia Value:	0.65 lb-ft ² (0.0275 kg·m ²)
Shipping Weight:	1,213 lb (550 kg)
Rotation:	bi-directional

*No Cooling System



As a safety precaution, Taylor Dynamometer recommends a torsional analysis to uncover any potential torsional problems that exist for each application. This analysis will identify any torsional issues (frequencies) that should be fixed prior to operation. Excessive linear vibration may also create problems that must be mitigated for continued operation. It is the customer's responsibility to ensure that these vibration issues are addressed upon application of the dynamometer. Equipment failures attributed to linear or torsional vibration are not warrantable.

Everything you need to succeed



3602 West Wheelhouse Road, Milwaukee, Wisconsin 53208 U.S.A.
(414) 755-0040 www.taylordyno.com

SMS2027v006