



DS4010-HS / Engine Dynamometer



Shown with optional flange.

DS4010-HS Water Brake Dynamometer

Specifications

Power: 3,500 hp (2,611 kW)

Torque: 11,875 ft-lb (16,100 N)

Speed: 4,000 rpm

Water Use: 255 gpm (16.1 lps) (No Cooling System)

Inertia Value with Companion Flange or Torsional Coupling: 290.8 ft-lb²

Shipping Weight: 4,620 lb (2,097 kg)

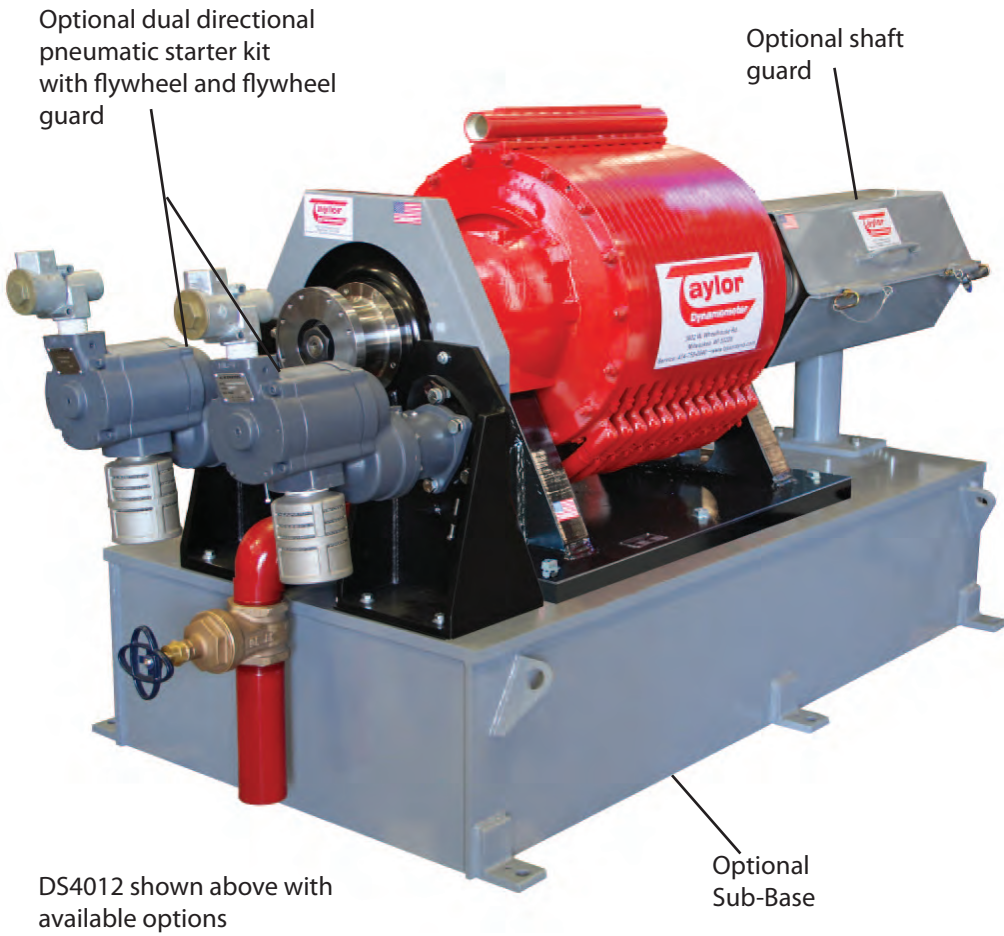
Rotation: Dynamometer can be operated in both directions of rotation

Recommended Accessories

- Driveshaft
- Adapter Plate Kit
- Shaft Guard
- Sub-Base Kit
- Engine Cart
- Air Starter - High Torque, Single or Dual Directional
- Closed Loop Cooling Center
- Charge Air Cooler
- Water Recirculating System

Total Test Success

Optional Accessories



Optional Cooling Column

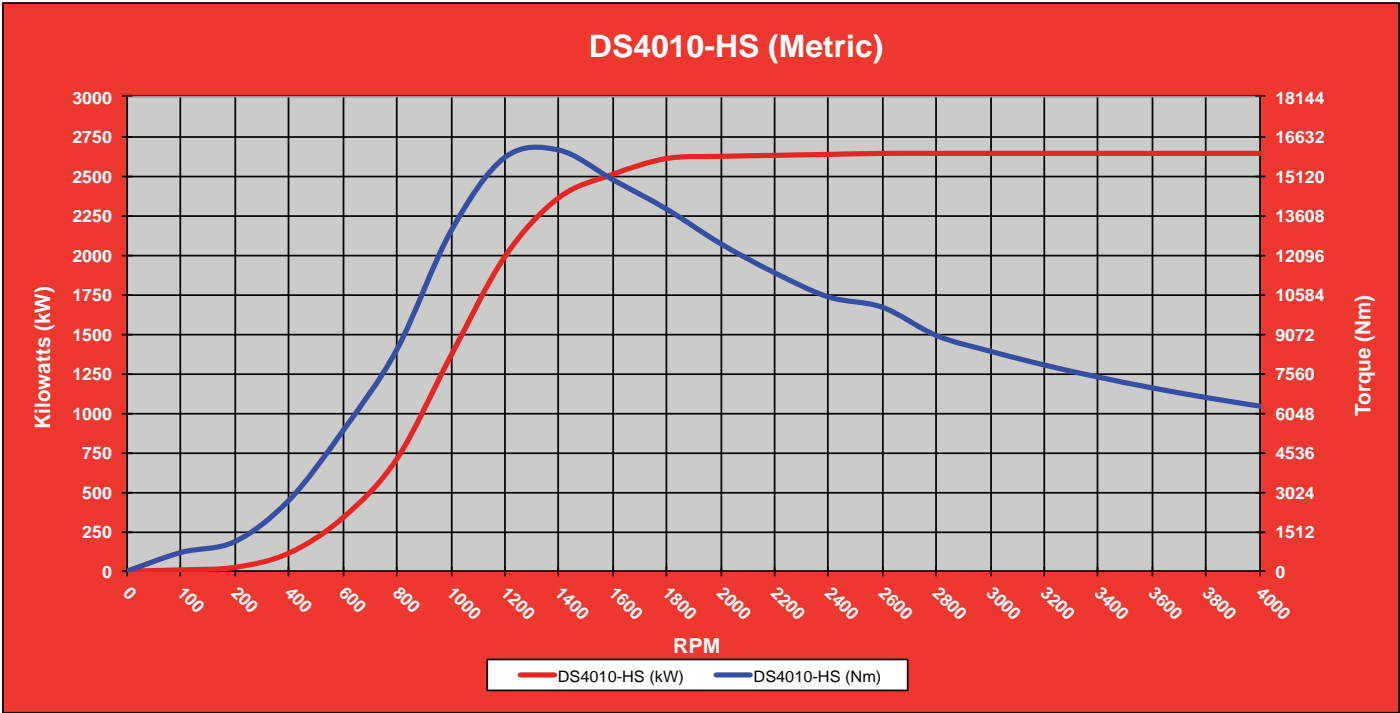
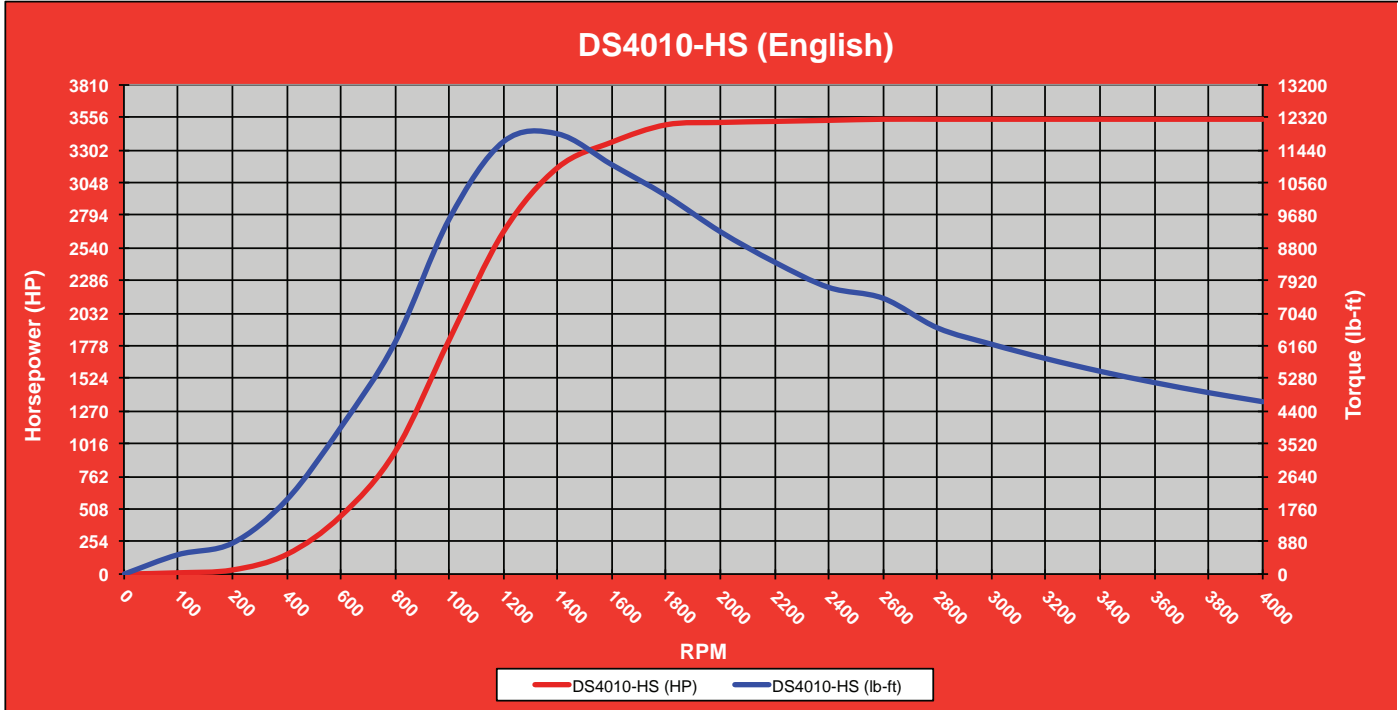


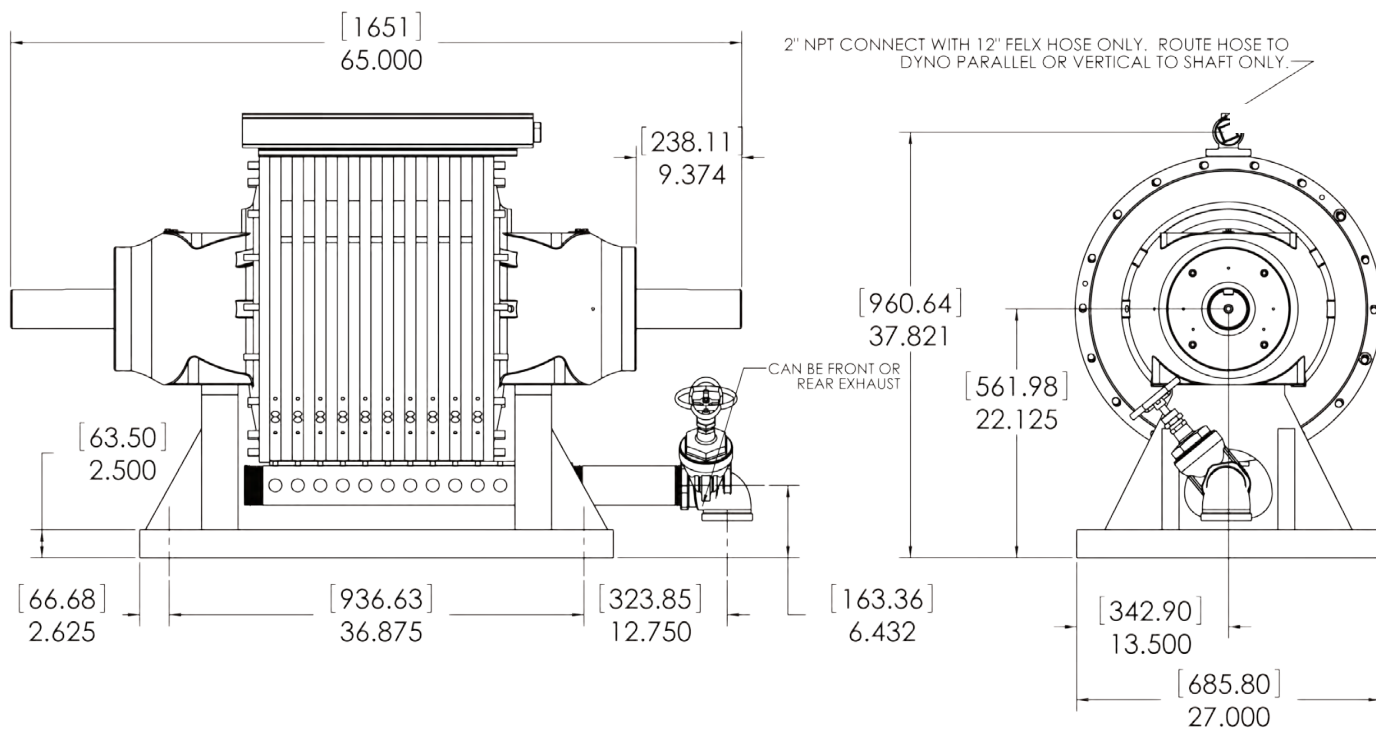
Optional Engine Cart



Optional Charge Air Cooler







Specifications

Power: 3,500 hp (2,611 kW)

Torque: 11,875 ft-lb (16,100 N)

Speed: 4,000 rpm

Water Use: 255 gpm (16.1 lps) (No Cooling System)

Inertia Value with Companion Flange or Torsional Coupling: 290.8 ft-lb²

Shipping Weight: 4,620 lb (2,097 kg)

Rotation: Dynamometer can be operated in both directions of rotation

Everything you need to succeed



3602 West Wheelhouse Road, Milwaukee, Wisconsin 53208 U.S.A.
(414) 755-0040 www.taylordyno.com

SMS2021v004