



DH23 / Engine Dynamometer



Image shown is for display purposes only, actual product may vary.

DH23 Water Brake Dynamometer

Specifications

Power: 805 hp (615 kW)

Torque: 1,275 ft-lb (1,729 Nm)

Speed: 4,500 rpm

Water Use: 60 gpm (3.8 lps) (No Cooling System)

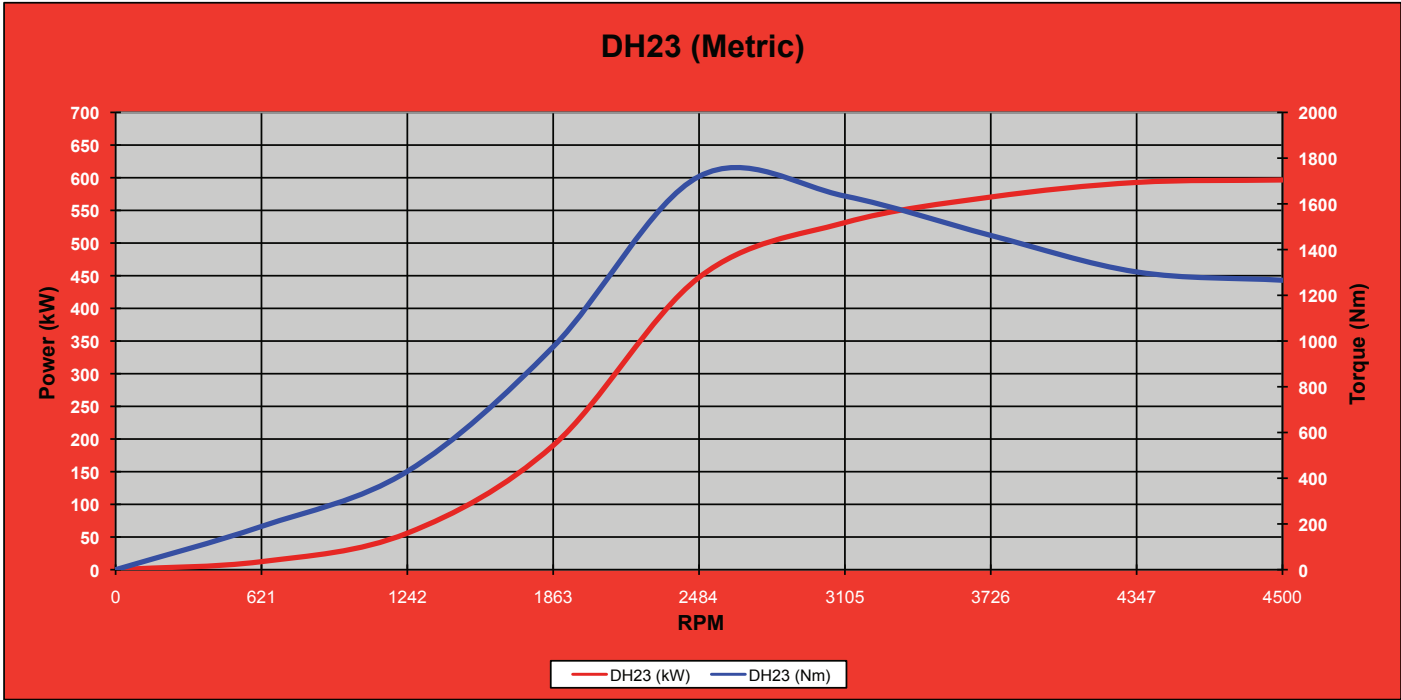
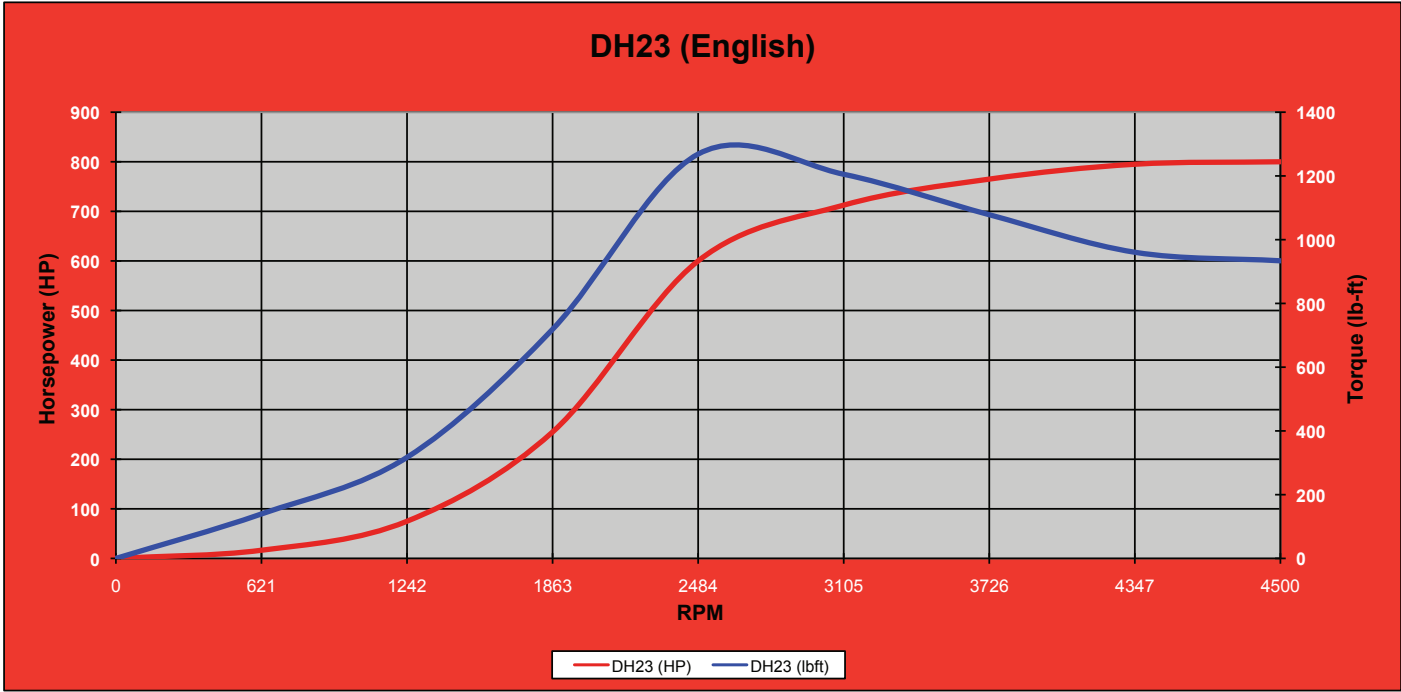
Inertia Value: 11.4 ft² · lb

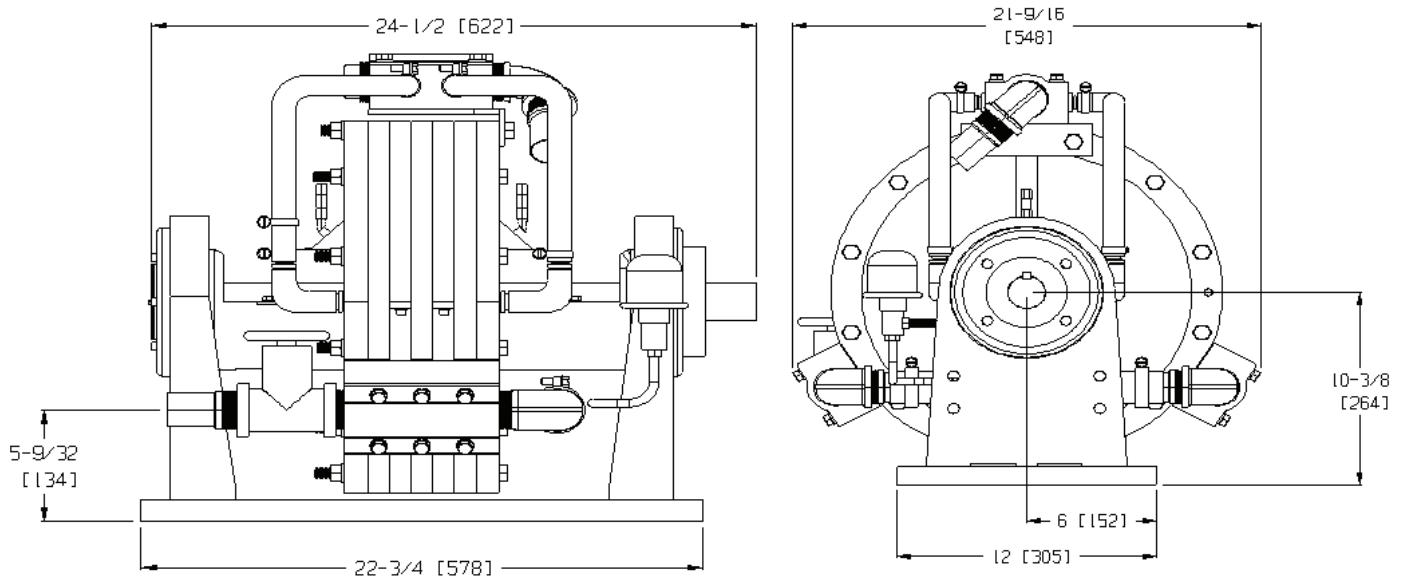
Shipping Weight: 475 lb (215 kg)

Recommended Accessories

- Adapter Plate Kit 1550
- Driveshaft
- Sub-Base Kit
- Shaft Guard
- Engine Cart 6,000 lb (2,724 kg)
- Cooling Column 1,250 hp (932 kW)
- Charge Air Cooler
- Water Recirculating System

Total Test Success





Specifications

Power: 805 hp (615 kW)

Torque: 1,275 ft-lb (1,729 Nm)

Speed: 4,500 rpm

Water Use: 60 gpm (3.8 lps) (No Cooling System)

Inertia Value: $11.4\text{ ft}^2 \cdot \text{lb}$

Shipping Weight: 475 lb (215 kg)

Everything you need to succeed



3602 West Wheelhouse Road, Milwaukee, Wisconsin 53208 U.S.A.
 (414) 755-0040 www.taylordyno.com

SMS2003v004