



## DH21 / Engine Dynamometer



Image shown is for display purposes only, actual product may vary.

## DH21 Water Brake Dynamometer

### Specifications

Power: 270 hp (205 kW)

Torque: 425 ft-lb (576 Nm)

Speed: 5,500 rpm

Water Use: 20 gpm (1.3 lps) (No Cooling System)

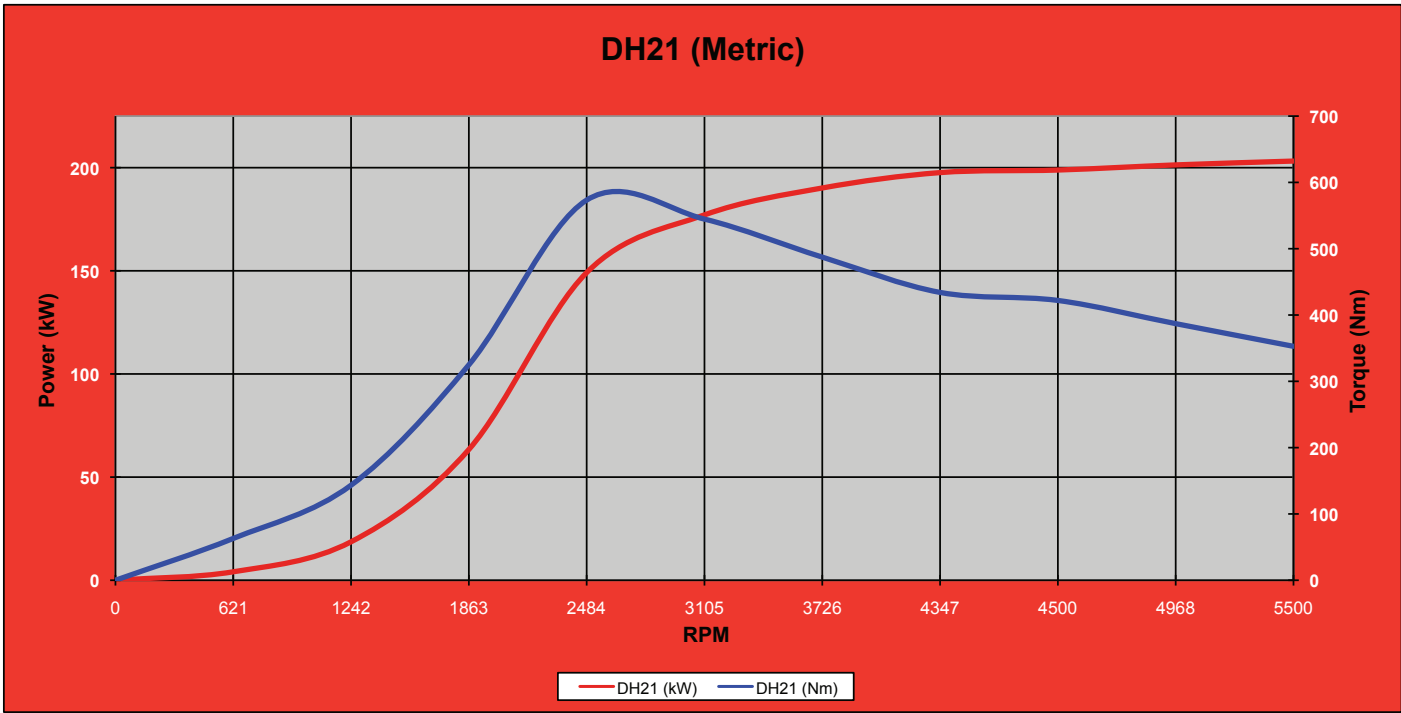
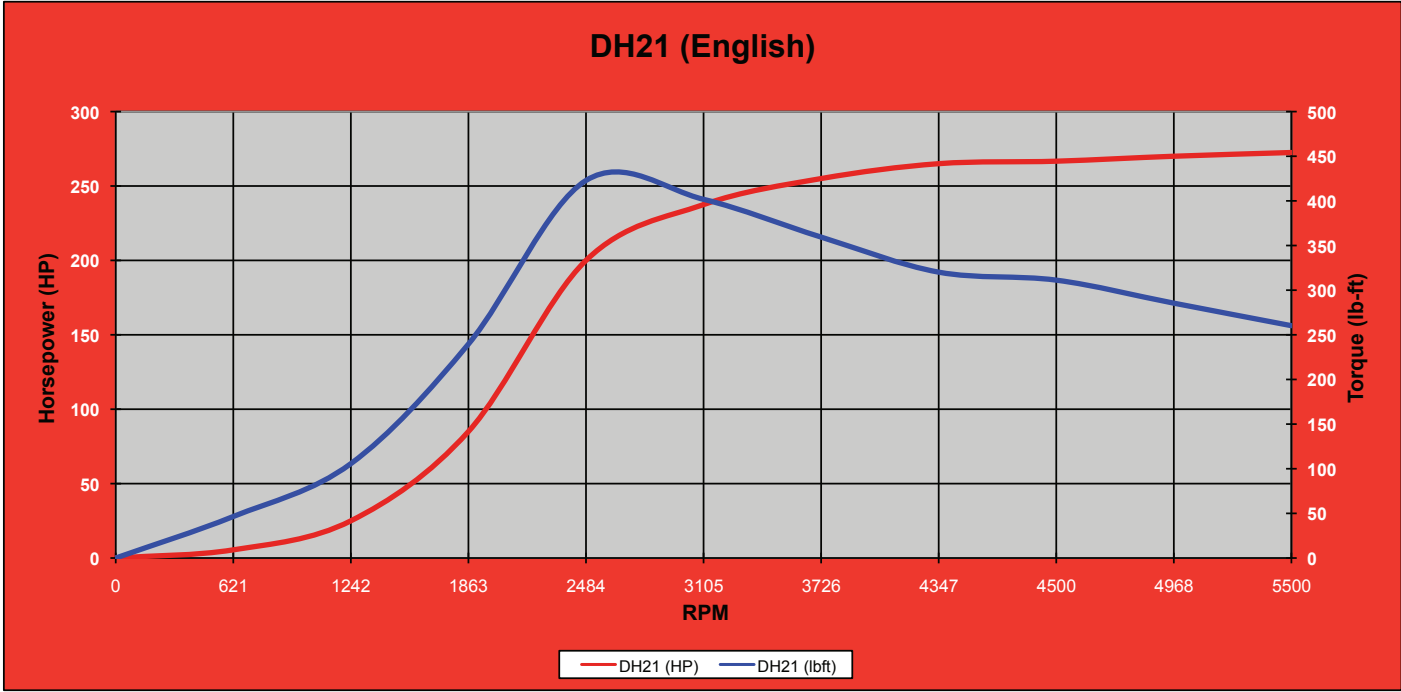
Inertia Value: 3.4 ft<sup>2</sup> · lb

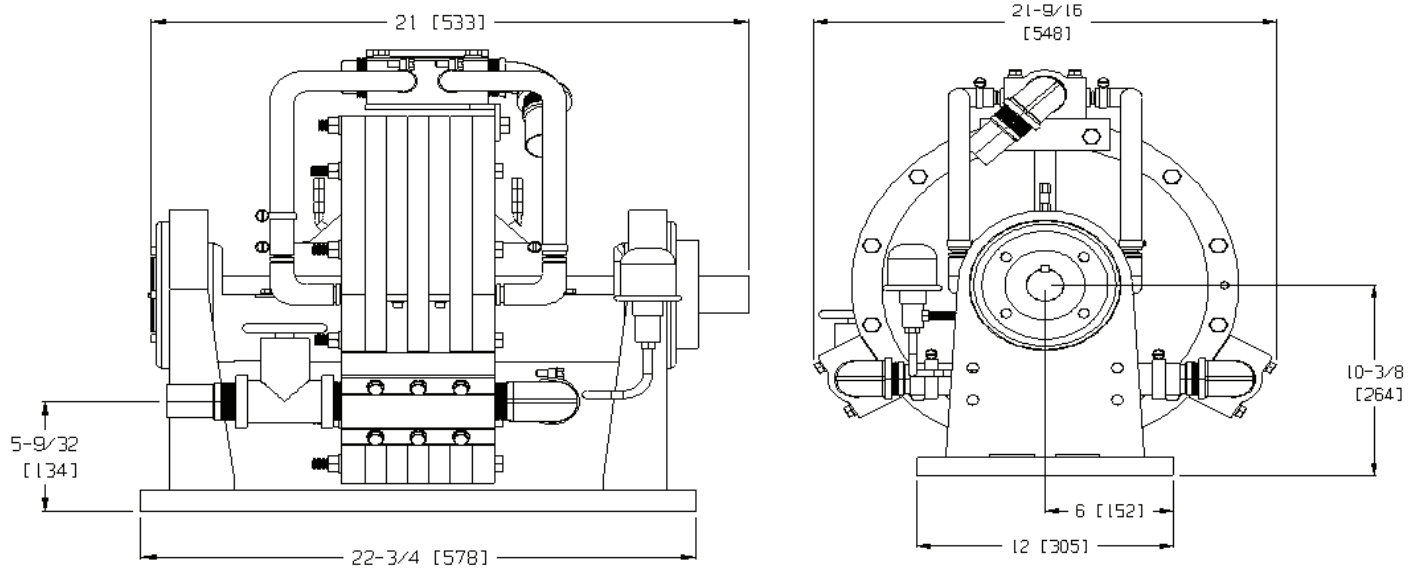
Shipping Weight: 325 lb (147 kg)

### Recommended Accessories

- Adapter Plate Kit 1550
- Driveshaft
- Sub-Base Kit
- Shaft Guard
- Engine Cart 6,000 lb (2,724 kg)
- Cooling Column 1,250 hp (932 kW)
- Charge Air Cooler
- Water Recirculating System

**Total Test Success**





## Specifications

Power: 270 hp (205 kW)

Torque: 425 ft-lb (576 Nm)

Speed: 5,500 rpm

Water Use: 20 gpm (1.3 lps) (No Cooling System)

Inertia Value: 3.4 ft<sup>2</sup> · lb

Shipping Weight: 325 lb (147 kg)

*Everything you need to succeed*



3602 West Wheelhouse Road, Milwaukee, Wisconsin 53208 U.S.A.  
 (414) 755-0040 [www.taylordyno.com](http://www.taylordyno.com)

SMS2001v004