



Actual products may differ  
from images shown

### Specifications:

Power:	3,200 hp (2,386 kW)
Torque:	18,674 lb-ft (25,329 Nm)
Speed:	2,500 rpm
Inertia Value**:	799 lb-ft <sup>2</sup> (33.67 kg-m <sup>2</sup> )
Shipping Weight:	10,500 lb (4,763 kg)

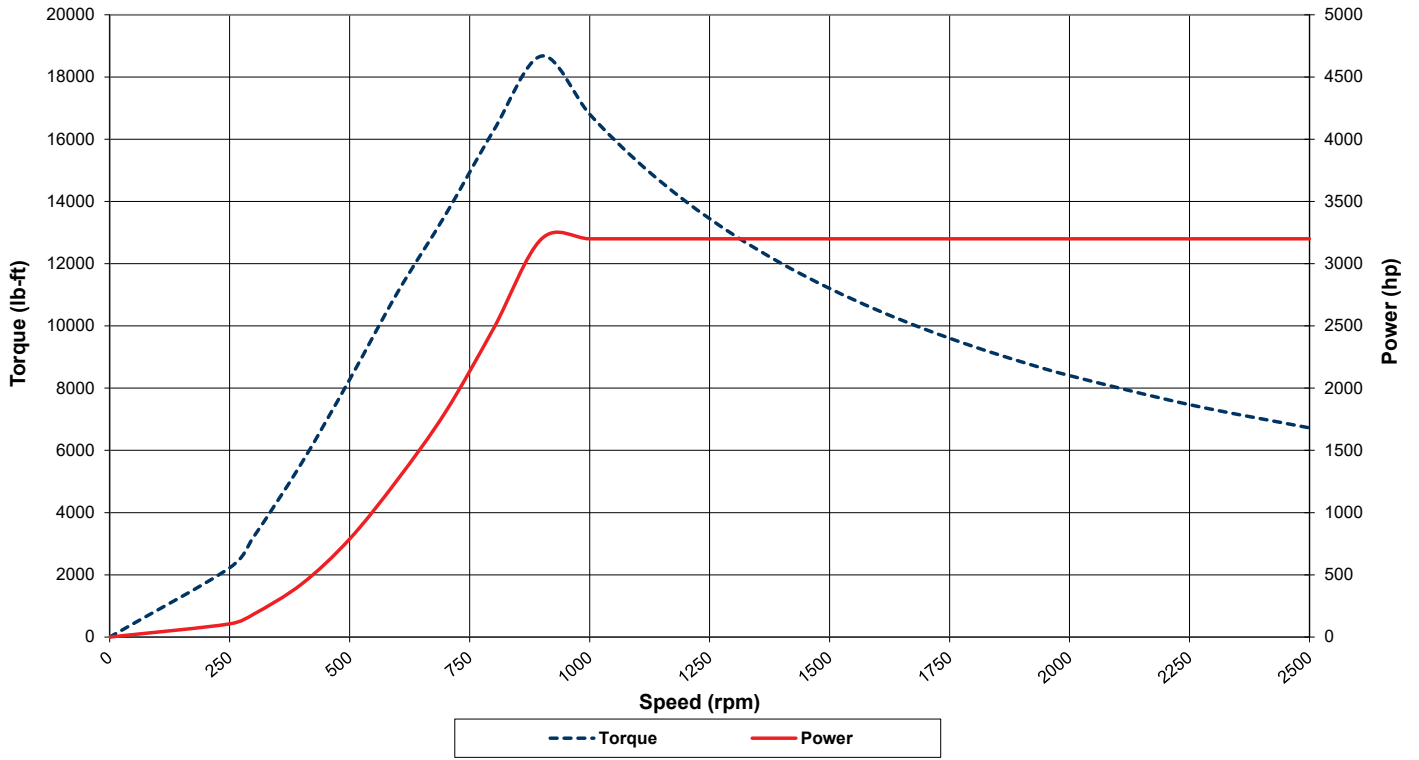
\*\*With Companion Flange

*For overhung loads, such as a belt or gear drive, please contact us to ensure that the system will meet the required performance needs.*

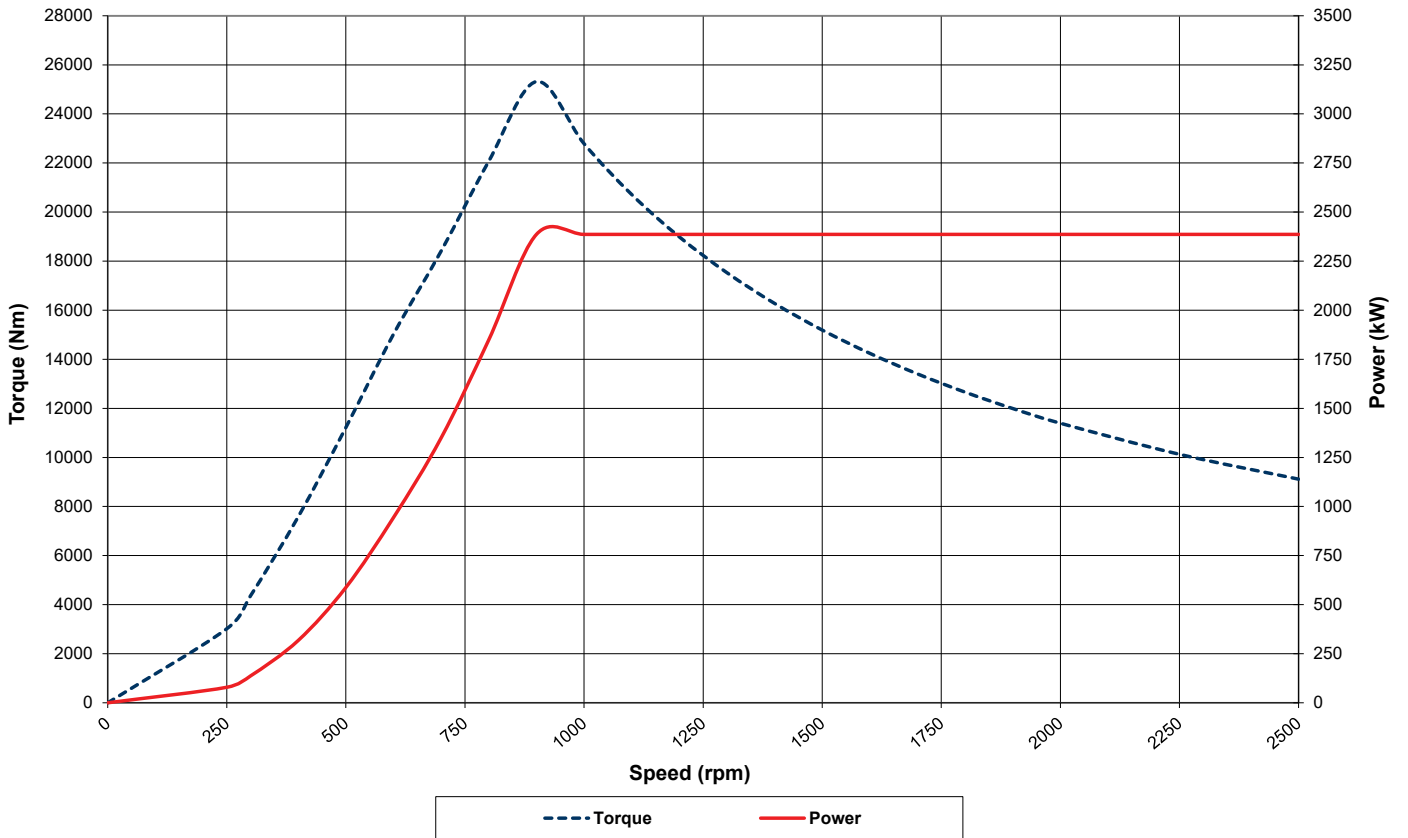
### Recommended Accessories:

- Driveshaft
- Driveshaft Guard
- Adapter Plate Kit
- Engine Cart
- Cooling Column
- Air Starter
- Charge Air Cooler
- Throttle Control
- Water Recirculating System

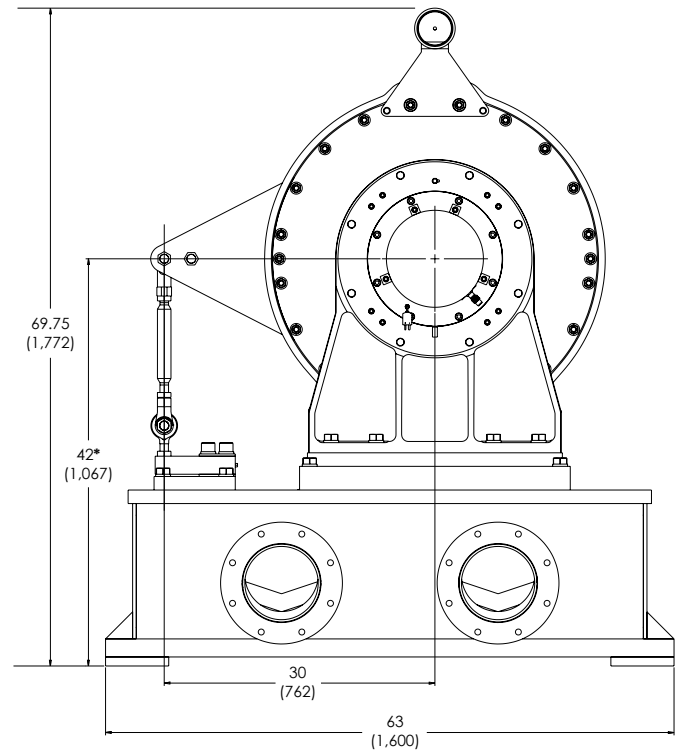
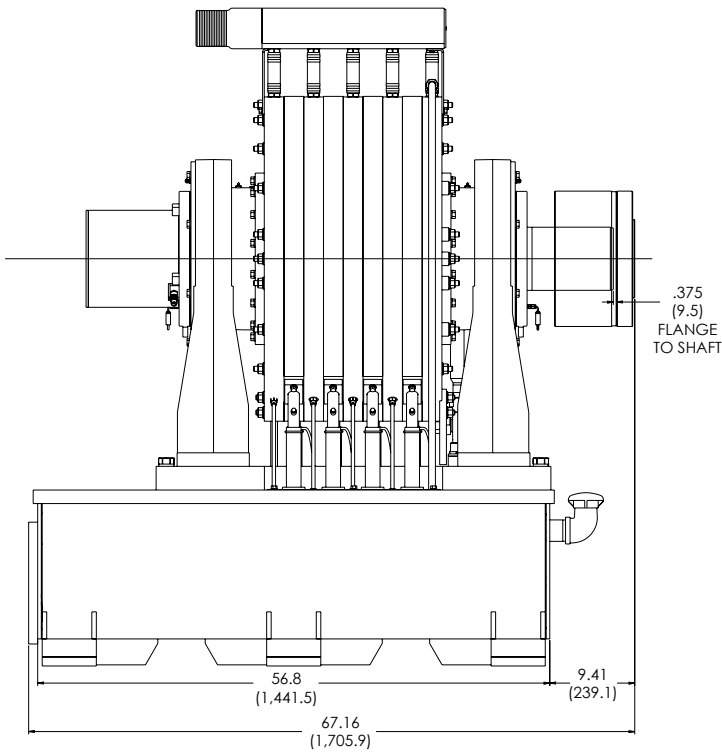
### H3604 (US Customary)



### H3604 (S.I.)



in  
(mm)



\*CENTERLINE CAN BE CUSTOMIZED.  
OUR STANDARD OFFERINGS ARE  
42, 45, OR 48 in (1,067, 1,143, OR 1,219 mm)

## Specifications:

Power:	3,200 hp (2,386 kW)
Torque:	18,674 lb-ft (25,329 Nm)
Speed:	2,500 rpm
Inertia Value**:	799 lb-ft <sup>2</sup> (33.67 kg-m <sup>2</sup> )
Shipping Weight:	10,500 lb (4,763 kg)

\*\*With Companion Flange

For overhung loads, such as a belt or gear drive, please contact us to ensure that the system will meet the required performance needs.

*As a safety precaution, we recommend a torsional analysis to uncover any potential torsional problems that exist for each application. This analysis will identify any torsional issues (frequencies) that should be fixed prior to operation. Excessive linear vibration may also create problems that must be mitigated for continued operation. It is the customer's responsibility to ensure that these vibration issues are addressed upon application of the dynamometer. Equipment failures attributed to linear or torsional vibration are not warrantable.*



Power Test, LLC, an industry leader in the design, manufacture and sales of dynamometers, specialized test systems, and related data acquisition and control systems. Power Test, LLC, offers a comprehensive portfolio of brands including Power Test, Taylor Dynamometer, and Dyne Systems that have long been the standard for quality in the testing industry. As your equipment testing partner for innovative products and comprehensive life-cycle services and support, we are dedicated to delivering an exceptional experience by offering specialized solutions to Make Your Testing Easy.