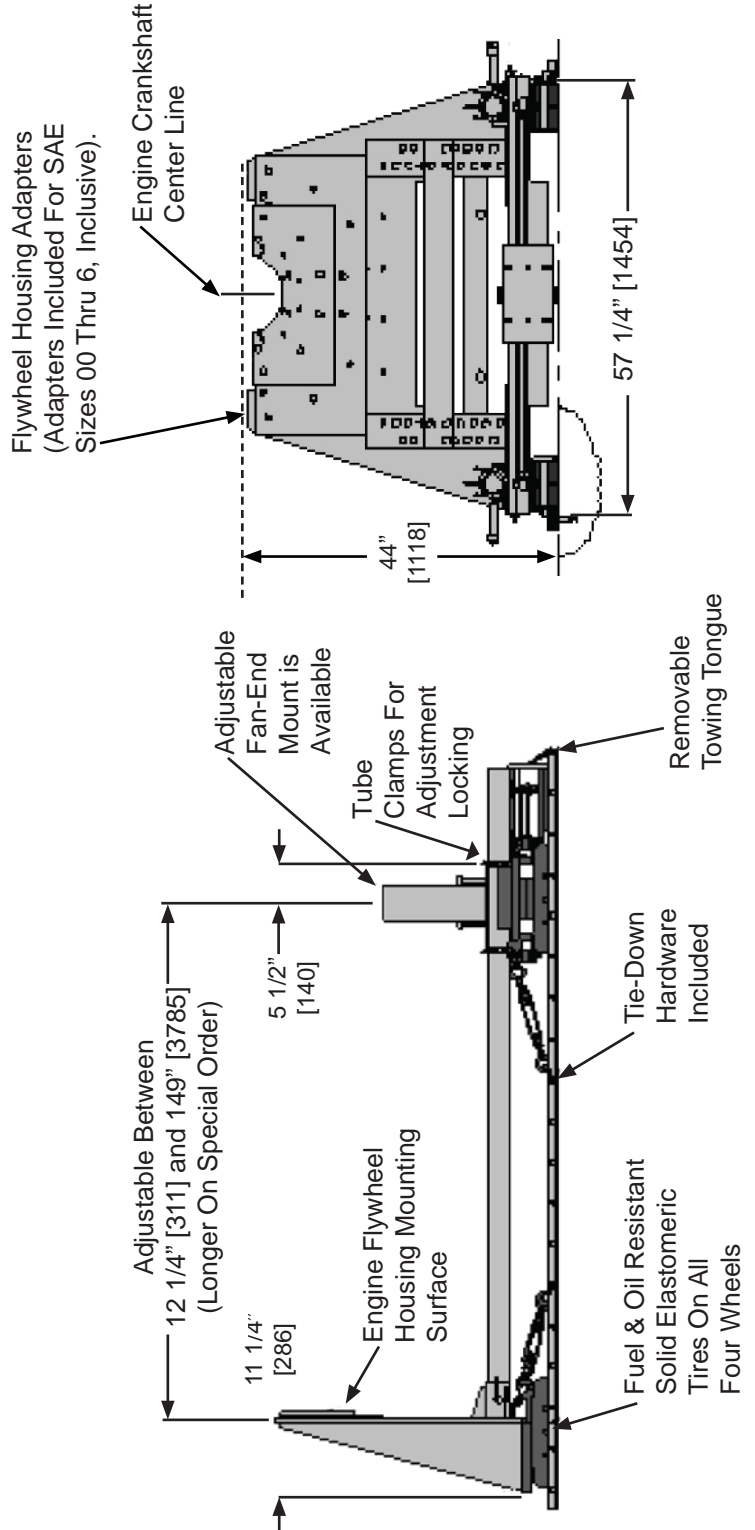


30,000 lb. Engine Cart

Outline & Interface Dimensions of 30,000 lb. Engine Cart

Notes

1. Dead weight capacity 30,000 lb. [13608 kg]
2. 35 3/16" [894] dimension is from crankshaft centerline down to 12" [305] x 42" [1067] mounting surface for fan-end engine mounting adapters.
3. Max engine width between tube clamps is 45 1/2" [1156]
4. Engines with a flywheel that extends beyond the face of the housing will require a spacer to mount to the cart.



SMS0763v007