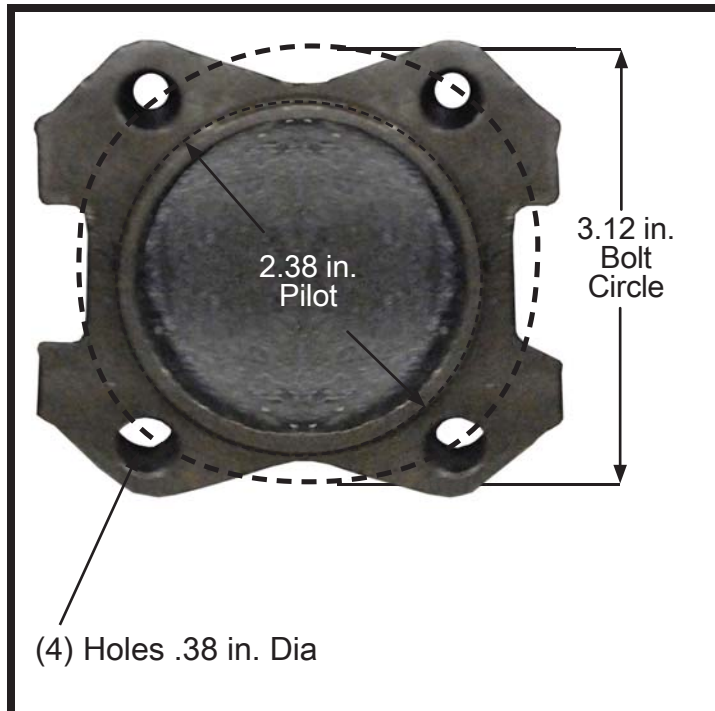


Notes:

1. Maximum Recommended Continuous Torque 1400 ft-lbs (1898 Nm) with no angular misalignment & 2 deg. ± 1 deg. slope (parallel offset between 1/2" [13] & 1-1/2" [40])
2. Minimum Elastic Limit = 4400 lbs [5966 kg] represents the maximum torque load the universal joint will transmit instantaneously without brinelling bearings or yield in any part
3. Maximum Allowable Speed 5500 RPM
4. Dynamically balanced
5. Weight 36 lbs [16 kg]

28.5 in. Min. Collapsed
31.8 in. Max. Extended



SMS0670V002