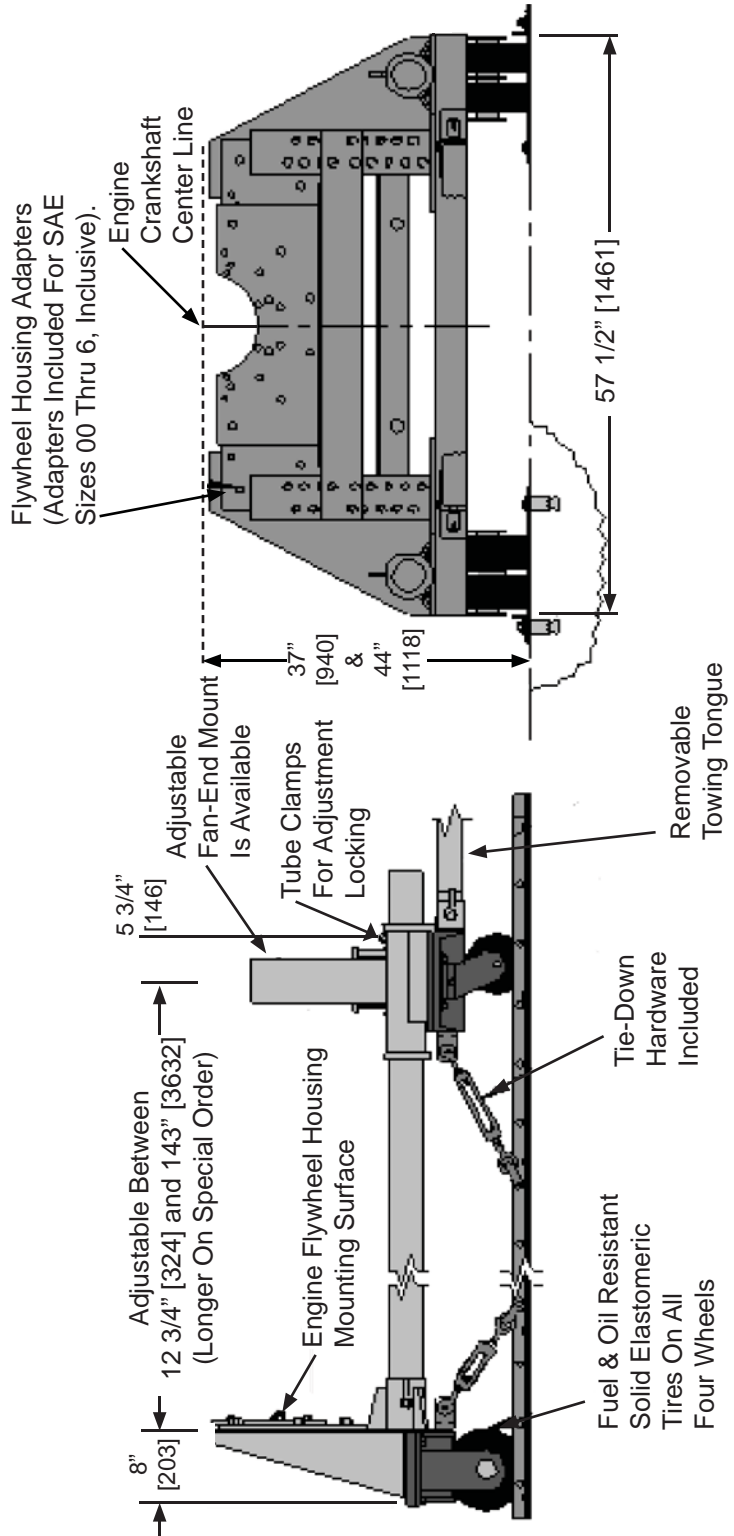


18,000 lb. Engine Cart

Outline & Interface Dimensions of 18,000 lb. Engine Cart

Notes

1. Dead Weight Capacity 18,000 lb. [8165 kg]
2. 22 1/8" [582] Dimension Is From Crankshaft, Centerline Down To 12" [305] x 42" [1067], Mounting Surface For Fan-End Engine Mounting Adapters.
3. Max Engine Width Between Tube Clamps Is 45 1/2" [1156]
4. Engines with a flywheel that extends beyond the face of the housing will require a spacer to mount to the cart.



SMS0657v008