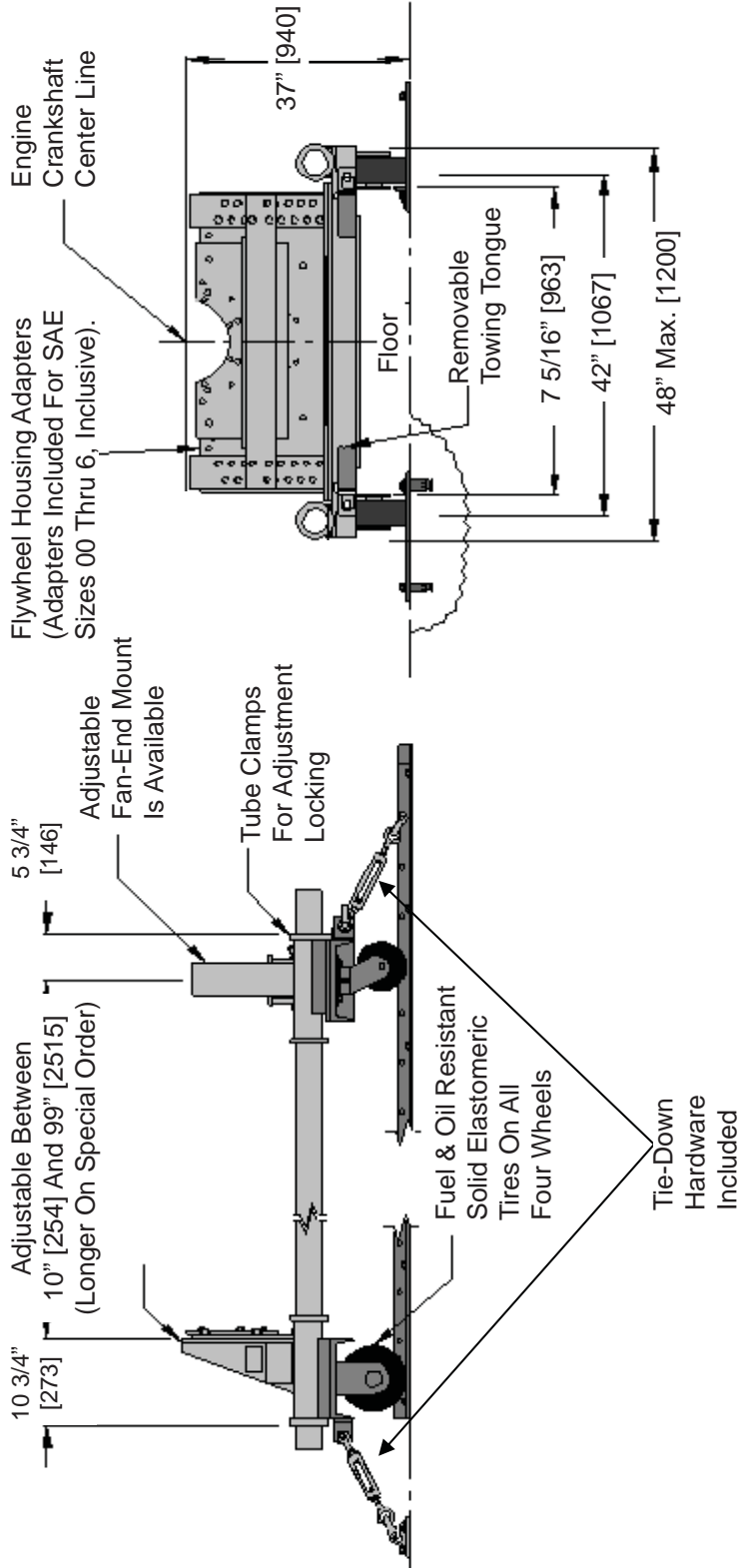


# 12,000 lb. Engine Cart

## Outline & Interface Dimensions of 12,000 LB. Engine Cart

**Notes**

1. Dead Weight Capacity 12,000 lb. [5443 kg]
2. 16.07" [408] Dimension Is From Crankshaft Centerline Down To 10" [254] x 39" [991] Mounting Surface For Fan-End Engine Mounting Adapters.
3. Max Engine Width Between Tube Clamps Is 38 1/2" [978]
4. Engines with a flywheel that extend beyond the face of the housing will require a spacer to mount to the cart.



SMS0318V009