



Hose Interconnect Kit

Interconnect Kit

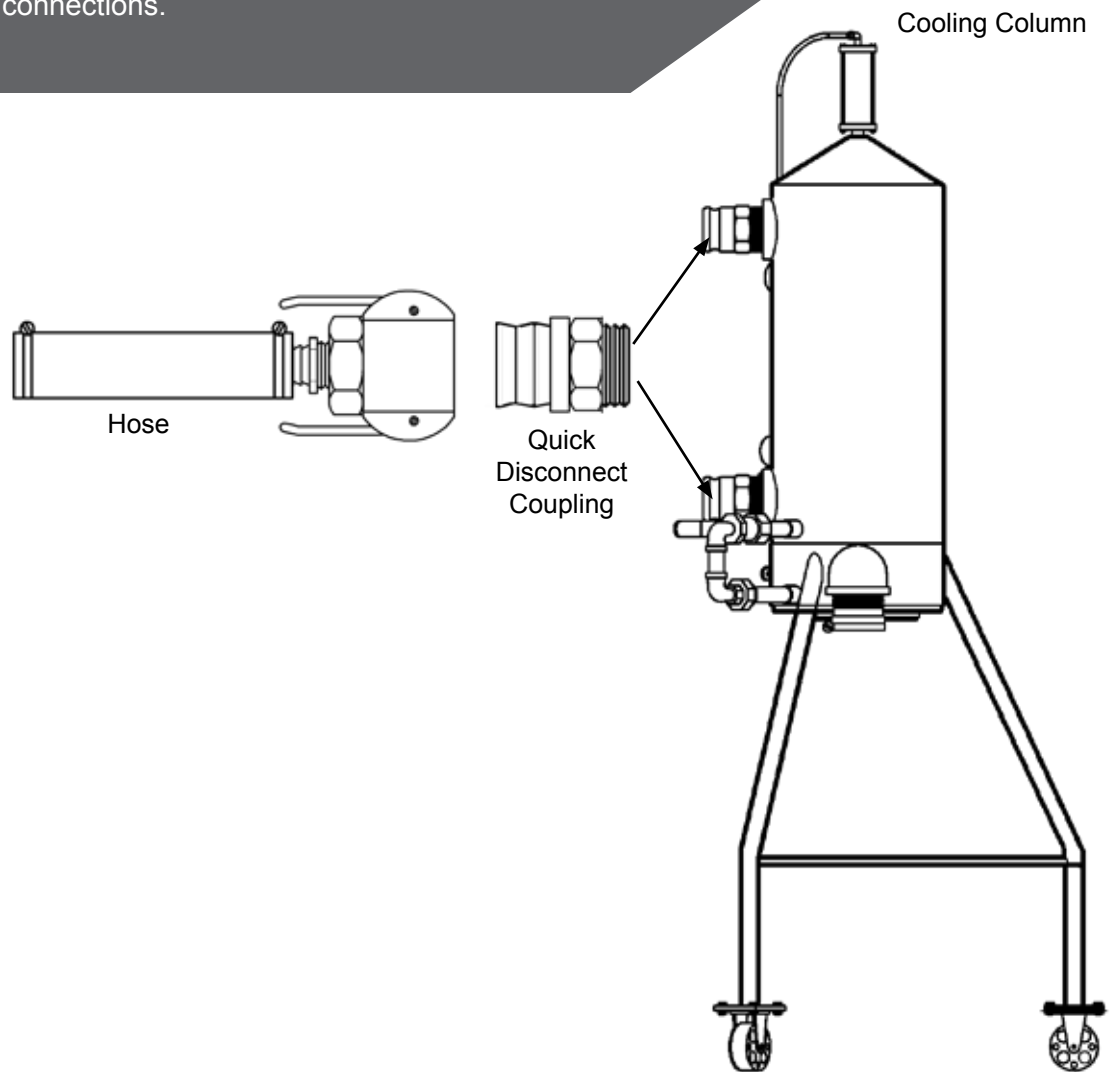
The hose interconnect kits are specially designed for quick connect and disconnect between the engines and Taylor's Cooling Column and/or Taylor's Low Temperature Aftercooler. The hoses are secured to the engine cooling water inlet and outlets with the supplied hose quick disconnect couplings. The quick disconnect ends are then attached to the Cooling Column's or Low Temperature Aftercooler's inlet and outlet hoses.

The high horsepower (applications greater than 2500 hp) Hose Interconnect Kit includes hose sizes of: 1", 1 1/4", 1 1/2", 2", 2 1/2", 3", 4", 6".

The midline horsepower (applications great than 1250 to 2500 hp) Hose Interconnect Kit includes hose sizes of: 1", 1 1/4", 1 1/2", 2", 2 1/2", 3" and 4".

The low horsepower (applications 1250 hp and below) Hose Interconnect Kit includes hose sizes of: 1", 1 1/4", 1 1/2", 2".

A "wye" fitting is available for engines with dual connections.



SMS0888 V006