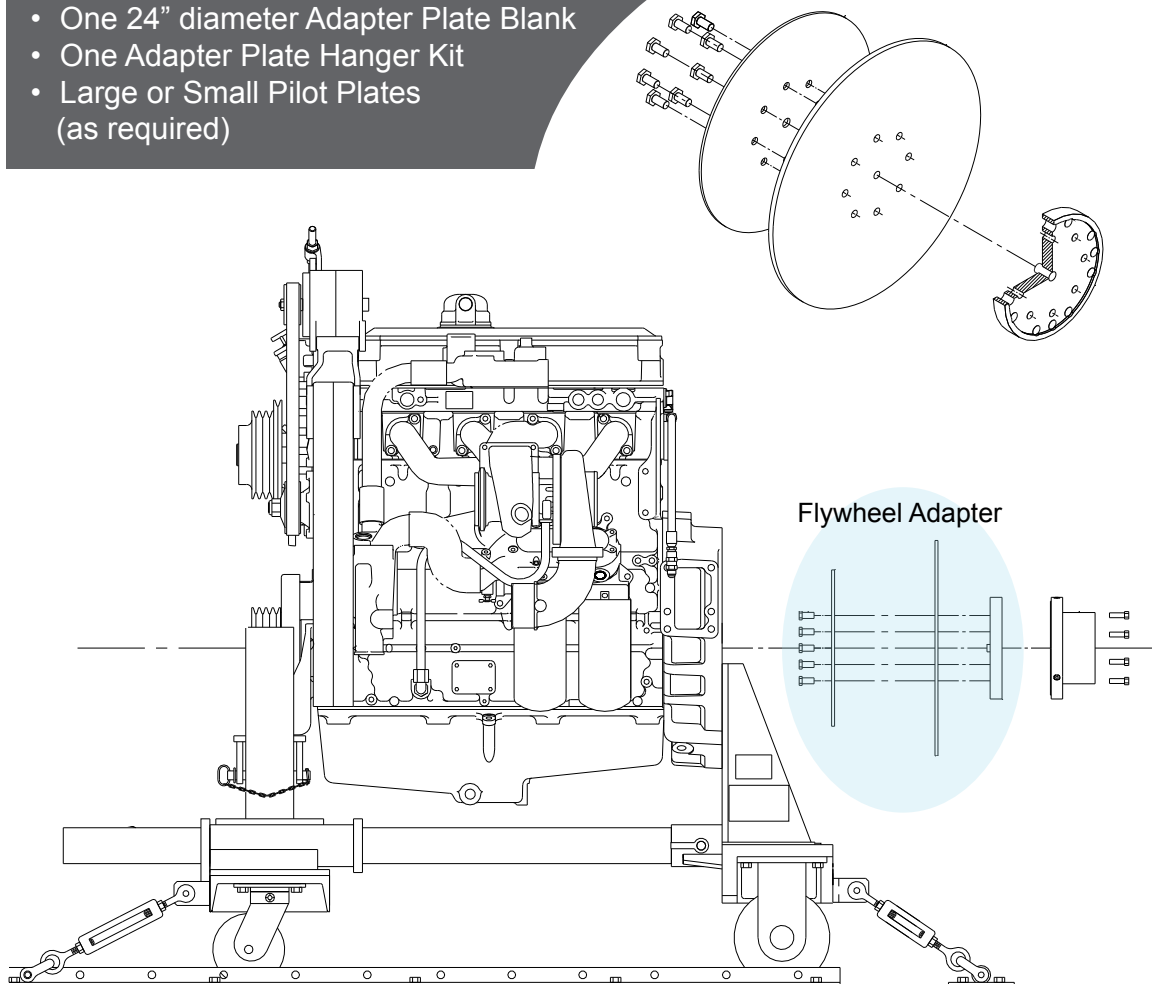


Save \$\$ by Machining Yourself

The flywheel adapter plate bolts to the flywheel of the engine. The flywheel adapter plate is available with a rough-cut diameter, from 12" to 30" and is pre-formed and machined to mate with a hub. Final machining of the outside diameter and drilling of the attaching holes to fit the clutch cover bolt holes in the flywheel must be performed by the purchaser to ensure correct fit. A single flywheel adapter plate can be drilled with various flywheel patterns, thus avoiding the necessity of stocking a different plate for each model of engine to be tested. The hub is bolted to the flywheel adapter plate to ensure proper location and centering of the drive shaft and has threaded holes for the direct attachment of the drive shaft cap screws. Additional adapter plates are available for purchase separately.

Items Included with Kit

- One 1550 TK Style Hub
- One 18" diameter Adapter Plate Blank
- One 24" diameter Adapter Plate Blank
- One Adapter Plate Hanger Kit
- Large or Small Pilot Plates (as required)



SMS0919V003