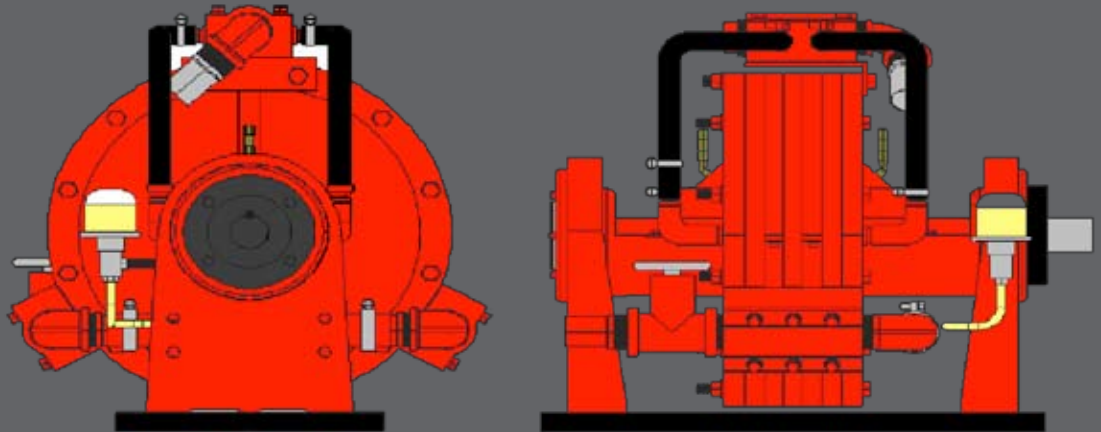




Engine Dynamometer

DH23

Engine Dynamometer



Specifications

Power: 805 hp (615 kw)

Torque: 1275 ft. lbs (1729 Nm)

Speed: 4,500 RPM

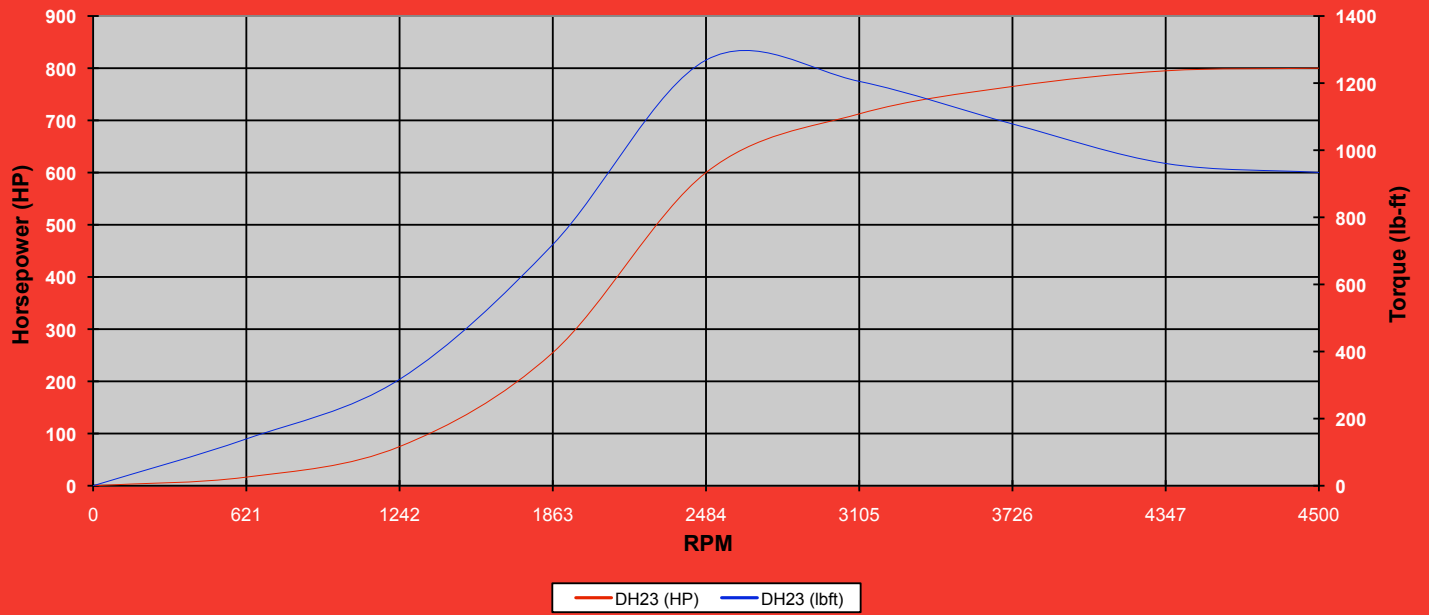
Water Use: 60 GPM (3.8L/s)(No Cooling System)

Shipping Weight: 475 lbs. (215 kg)

Recommended Accessories:

- Driveshaft
- Cooling Column - 1,250 hp (932 kw)
- Engine Cart - 6000lb. (2724 kg)
- Adapter Plate Kit - 1550
- Pneumatic Throttle Control
- Shaft Guard
- Charge Air Cooler
- Base Kit
- Water Recirculating System

DH23 (English)



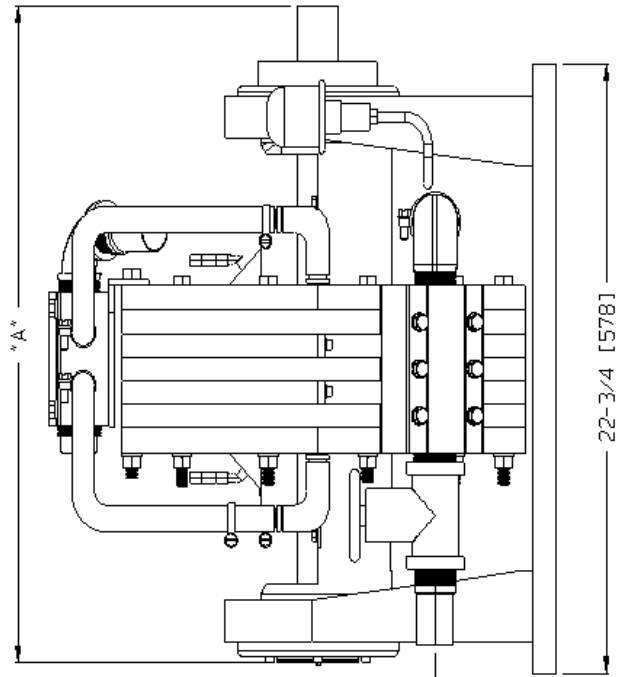
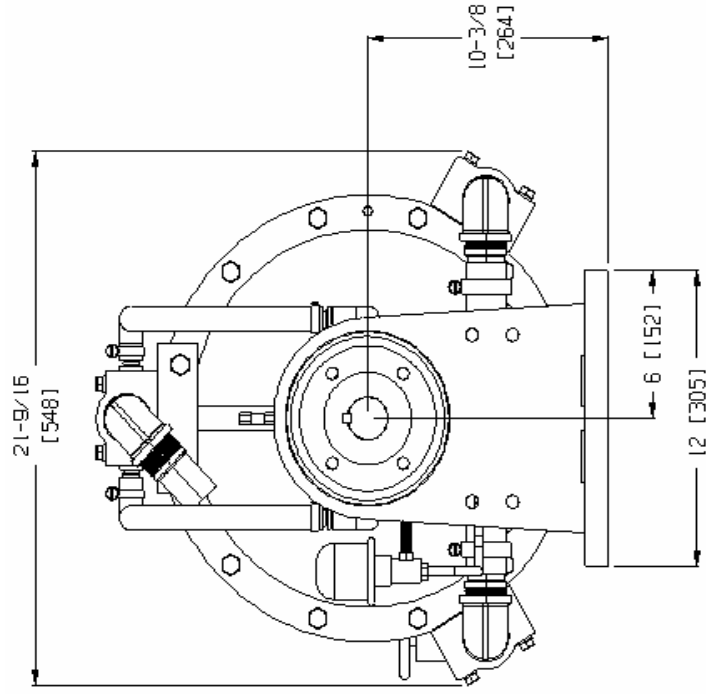
DH23 (Metric)



DH23

Engine Dynamometer

Taylor Dynamometer



	DIMENSION	*A*
DH-21	21	[533]
DH-22	22-3/4	[578]
DH-23	24-1/2	[622]

[] = mm

POWER: 805 hp (615 kw)
SPEED: 4,500 RPM
TORQUE: 1275 ft. lbs. (1729 Nm)
WATER USE: 60 GPM (3.8 L/s)(No Cooling System)
SHIPPING WEIGHT: 475 lbs. (215 kg)

SMS0900V006

3602 West Wheelhouse Road, Milwaukee Wisconsin U.S.A
www.taylordyno.com 414-755-0040