



Engine Dynamometer

DA750

Engine Dynamometer

Air-Cooled AC Dynamometer



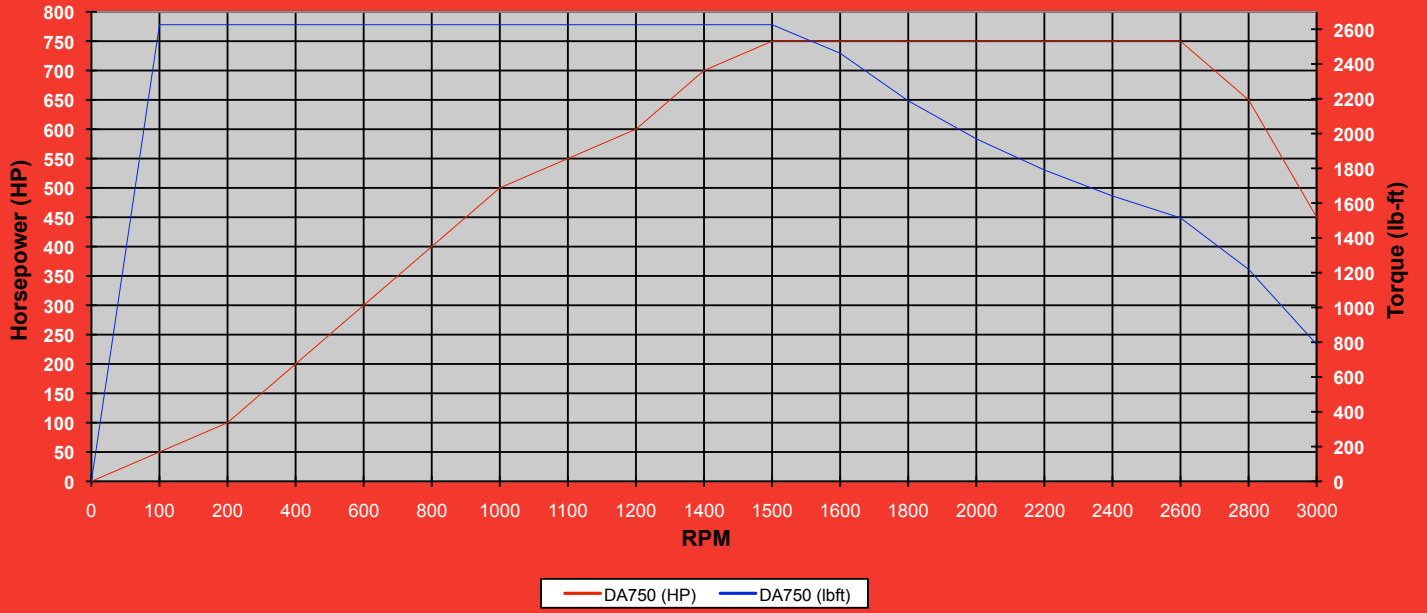
Specifications

Power: 750 hp (559 kw)
Torque: 2,626 ft. lbs (3,560 Nm)
Speed: 3000 RPM
Shipping Weight: 1090 lbs. (494.4 kg)

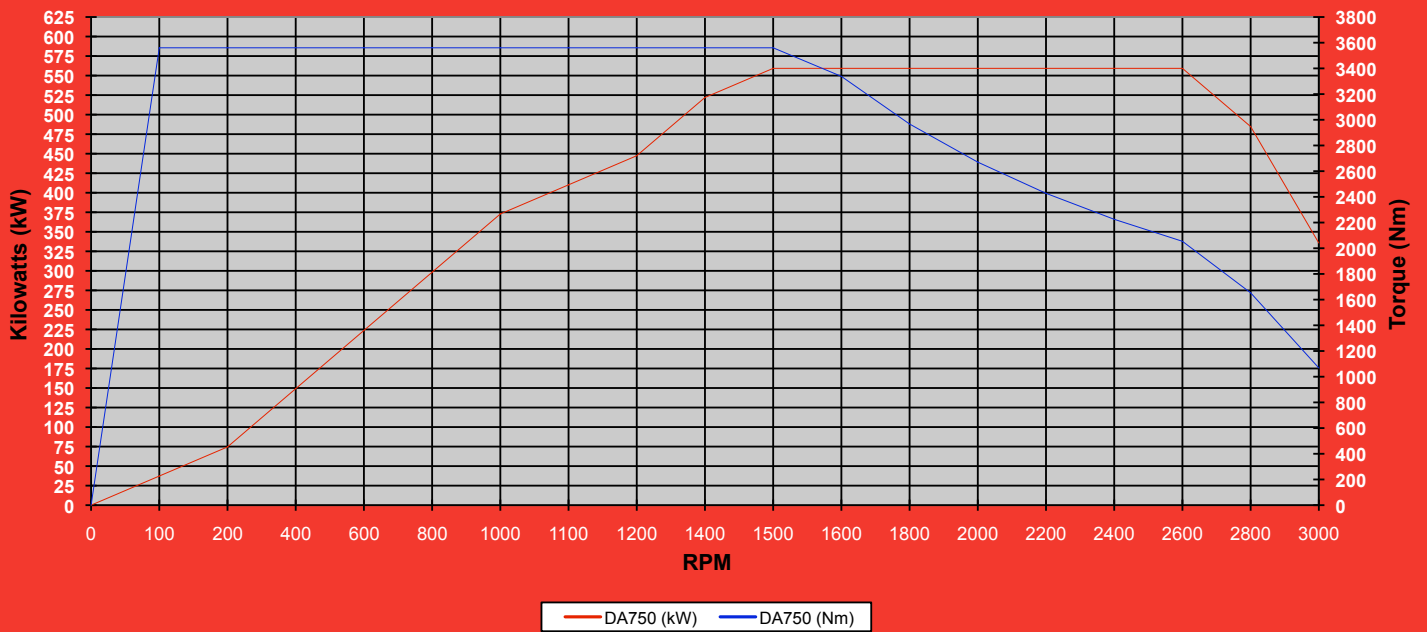
Recommended Accessories:

- Base Kit
- Driveshaft
- Shaft Guard
- Cooling Column
- Engine Cart
- Adapter Plate Kit
- DynPro Instrumentation
- Charge Air Cooler
- Load Bank or Regenerative Drive configuration

DA750 (English)



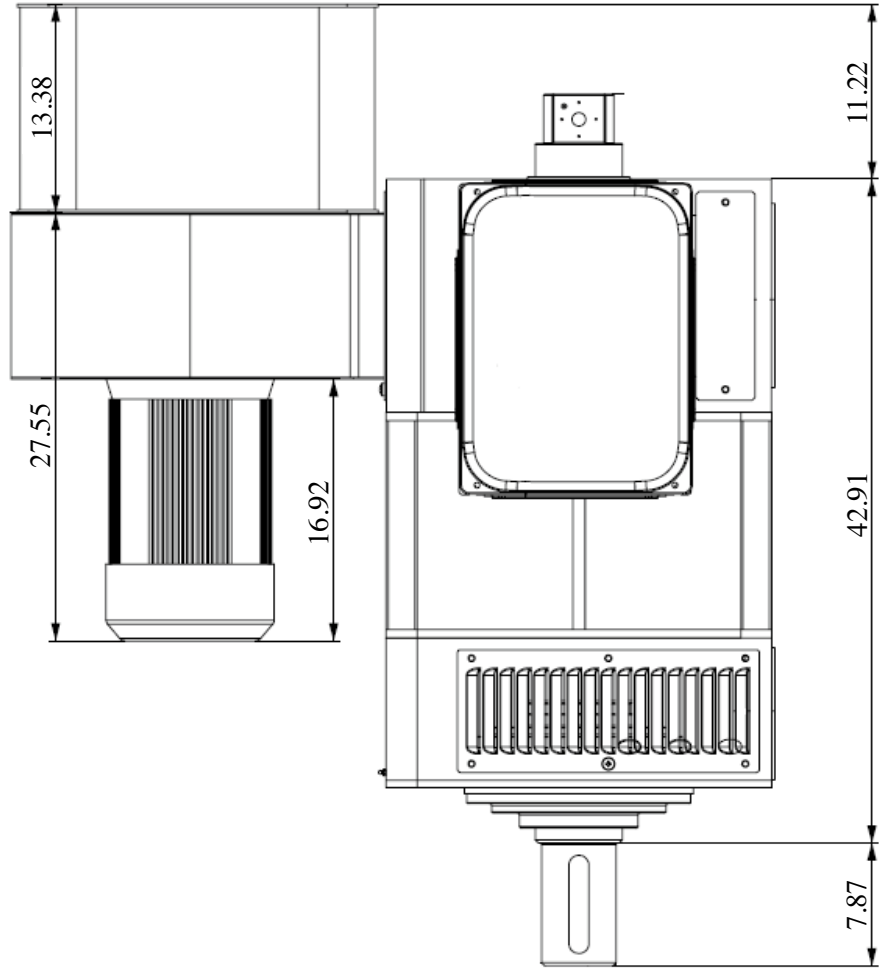
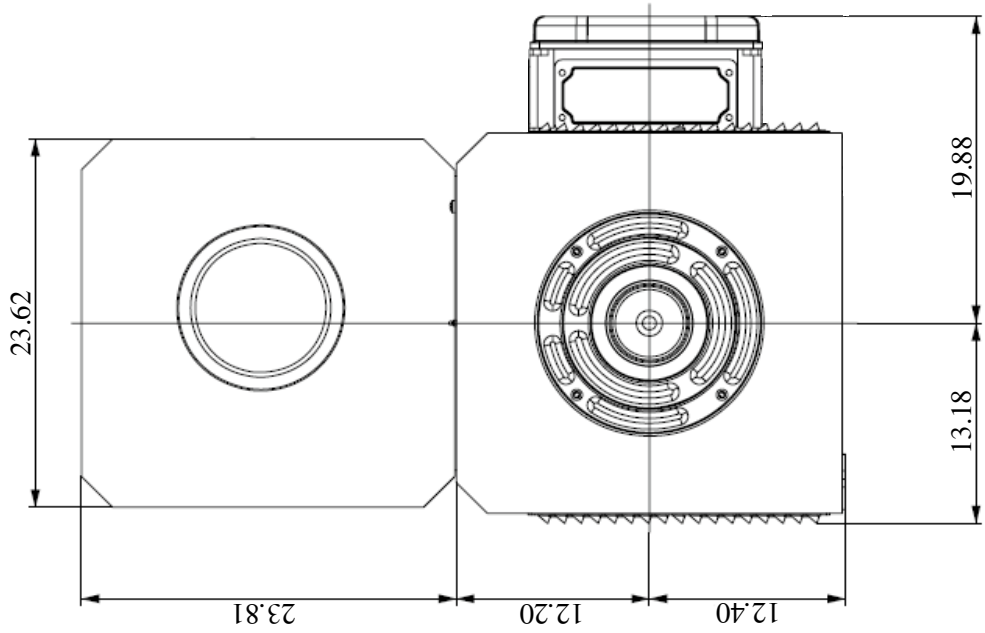
DA750 (Metric)



DA750

Engine Dynamometer

Taylor Dynamometer



POWER: 750 hp (559 kw)

SPEED: 3000 RPM

TORQUE: 2,626 ft. lbs. (3,560 Nm)

WEIGHT: 1090 lbs. (494 kg)

SHIPPING

All measurements in inches.

SMS1111V001

3602 West Wheelhouse Road, Milwaukee Wisconsin U.S.A
www.taylordyno.com 414-755-0040