



Engine Dynamometer

DA300

Engine Dynamometer

Air-Cooled AC Dynamometer



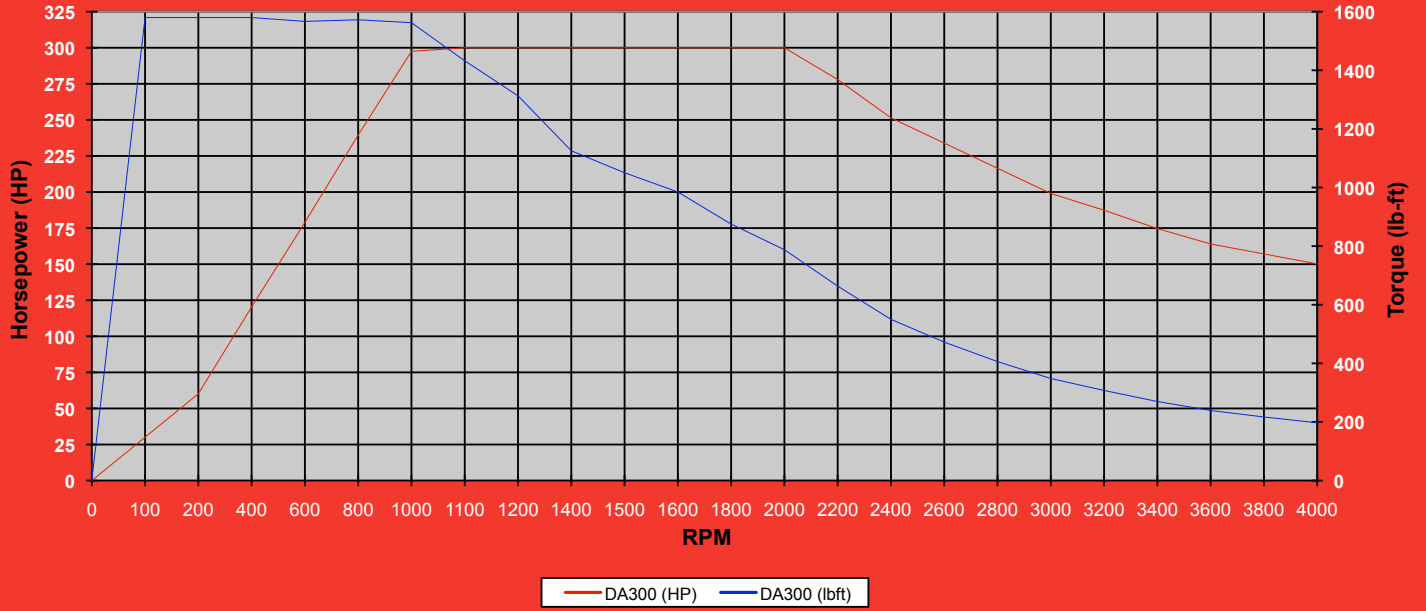
Specifications

Power: 300 hp (224 kw)
Torque: 1,580 ft. lbs (2,142 Nm)
Speed: 4000 RPM
Shipping Weight: 1,060 lbs. (480 kg)

Recommended Accessories:

- Base Kit
- Driveshaft
- Shaft Guard
- Cooling Column
- Engine Cart
- Adapter Plate Kit
- DynPro Instrumentation
- Charge Air Cooler
- Load Bank or Regenerative Drive configuration

DA300 (English)



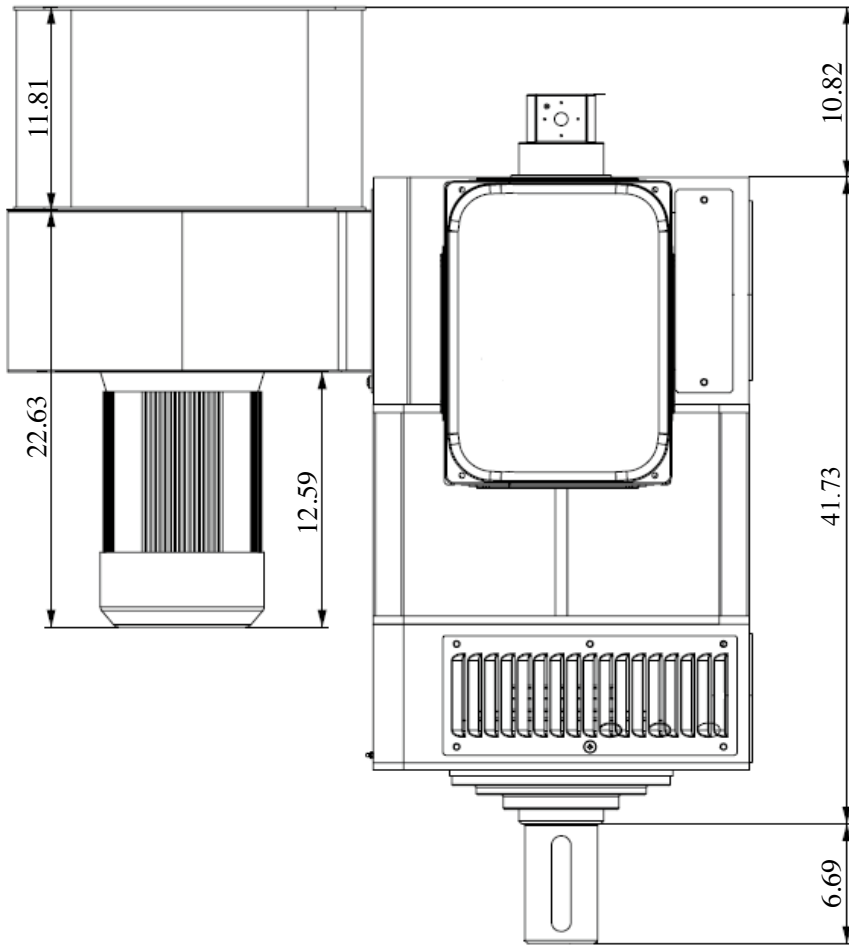
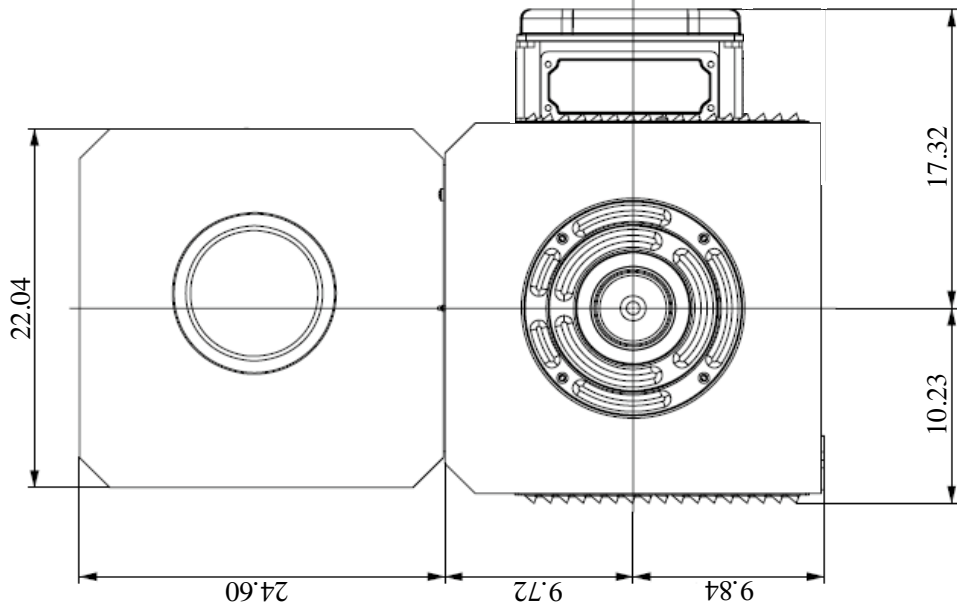
DA300 (Metric)



DA300

Engine Dynamometer

Taylor Dynamometer



POWER: 300 hp (224 kw)

SPEED: 4000 RPM

TORQUE: 1,580 ft. lbs. (2,142 Nm)

SHIPPING WEIGHT: 1,060 lbs. (480 kg)

All measurements in inches.

SMS1110V001

3602 West Wheelhouse Road, Milwaukee Wisconsin U.S.A
www.taylordyno.com 414-755-0040